



BRAKE DISC PAINTED

09.B355.11

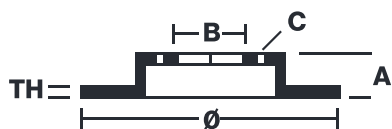
The 09.B355.11 painted brake disc is synonymous with reliability

The Brembo brake disc with special UV paint treatment guarantees superior corrosion resistance for the product, thanks to the protective coating on the outer edges and on the disc hub. The UV paint not only gives the disc a clean, shiny appearance but is also beneficial for the environment as the water-based UV paint treatment does not require the use of chemical solvents and is a low energy consumption process.

- ✓ OE-equivalent
- ✓ Brembo quality
- ✓ ECE-R90 certificate
- ✓ Safety
- ✓ Anti-corrosion
- ✓ Fastening screws



Technical specifications



EAN code
8020584222270

Axle
Front

Diameter \emptyset
276 mm

Thickness (TH)
26 mm

Height (A)
46 mm

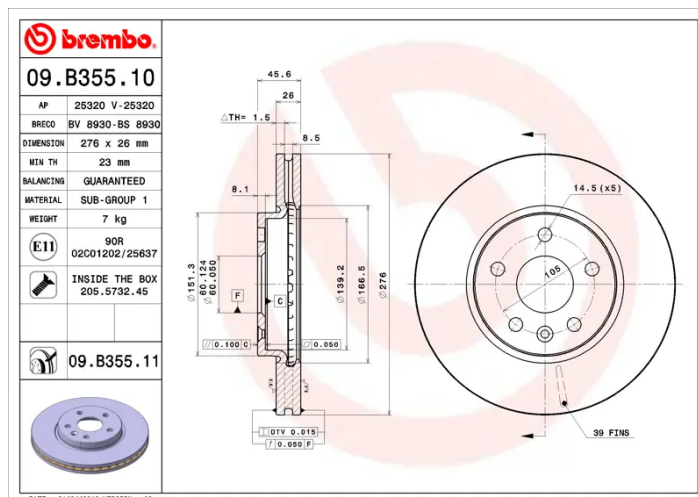
Number of holes (C)
5

Brake disc type
Ventilated

Centering (B)
60 mm

Min. thickness
23 mm

Tightening torque
120 Nm



COMPATIBLE VEHICLES

COMPATIBLE OE PART NUMBERS

13502045 BUICK (SGM)

13502824 BUICK (SGM)

13502044 CHEVROLET

13502045 CHEVROLET

13502824 CHEVROLET

23118274 CHEVROLET

13502045 CHEVROLET (SGM)

13502824 CHEVROLET (SGM)

13502050 GMC

13502044 OPEL

13502045 OPEL

569069 OPEL

569073 OPEL

95527030 OPEL

13502044 VAUXHALL

13502045 VAUXHALL

95527030 VAUXHALL
