



# BRAKE DISC MAX

## 09.C114.75

The 09.C114.75 Max brake disc is synonymous with reliability

The Brembo Max brake disc features grooves on the braking surface. The special shape of the grooves generates greater fading resistance and constant renewal of friction material, quickly restoring optimum braking conditions. The UV paint completes the sporty look.

- ✓ Brembo quality
- ✓ ECE-R90 certificate
- ✓ Performance
- ✓ Sports driving
- ✓ Sporty look
- ✓ High carbon
- ✓ Anti-corrosion
- ✓ Fastening screws



### Technical specifications



EAN code  
8020584326121

Axle  
Front

Diameter Ø  
300 mm

Thickness (TH)  
22 mm

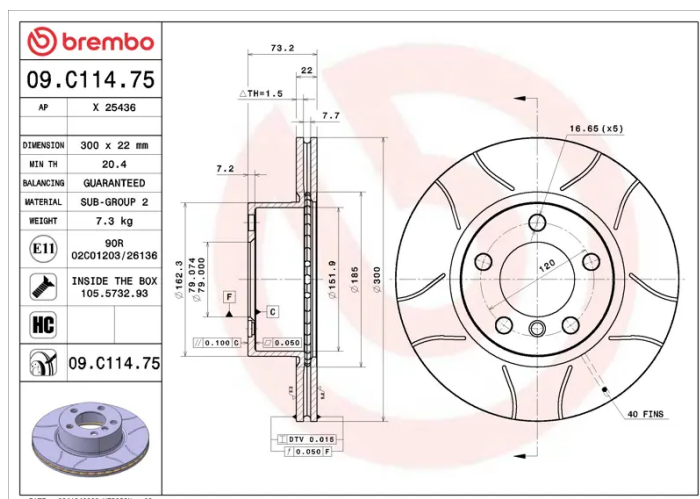
Height (A)  
73 mm

Number of holes (C)  
5

Brake disc type  
Ventilated

Centering (B)  
79 mm

Min. thickness  
20,4 mm



COMPATIBLE VEHICLES

## COMPATIBLE OE PART NUMBERS

34116792217

BMW

---

6792217

BMW

---

34116792217

BMW (BRILLIANCE)

---

6792217

BMW (BRILLIANCE)

---