



BRAKE DISC PAINTED

09.C313.11

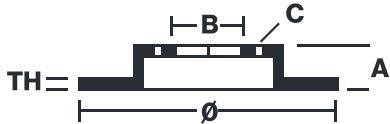
The 09.C313.11 painted brake disc is synonymous with reliability

The Brembo brake disc with special UV paint treatment guarantees superior corrosion resistance for the product, thanks to the protective coating on the outer edges and on the disc hub. The UV paint not only gives the disc a clean, shiny appearance but is also beneficial for the environment as the water-based UV paint treatment does not require the use of chemical solvents and is a low energy consumption process.

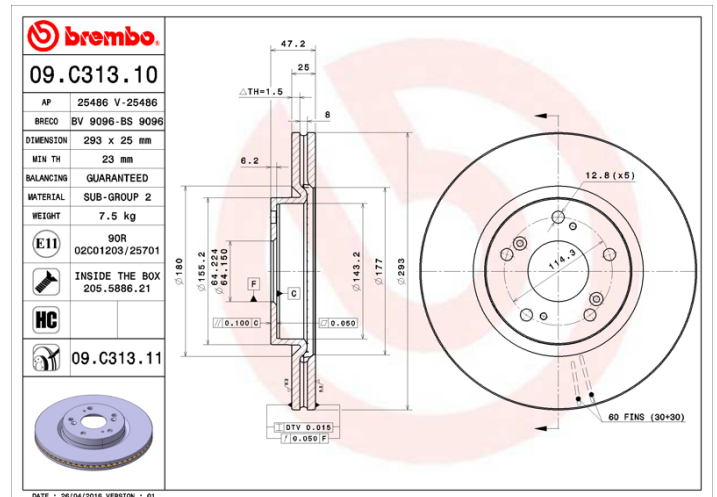


- ✓ OE-equivalent
- ✓ Brembo quality
- ✓ ECE-R90 certificate
- ✓ Safety
- ✓ High carbon
- ✓ Anti-corrosion
- ✓ Fastening screws

Technical specifications



EAN code 8020584221037	Axle Front	Diameter Ø 293 mm
Thickness (TH) 25 mm	Height (A) 47 mm	Number of holes (C) 5
Brake disc type Ventilated	Centering (B) 64 mm	Min. thickness 23 mm



COMPATIBLE VEHICLES

COMPATIBLE OE PART NUMBERS

45251T2MT00	HONDA
-------------	-------

45251T2MT01	HONDA
-------------	-------

45251TGNE00	HONDA
-------------	-------

45251TV2E00	HONDA
-------------	-------

45251TV2E01	HONDA
-------------	-------

45251TV2E02	HONDA
-------------	-------