

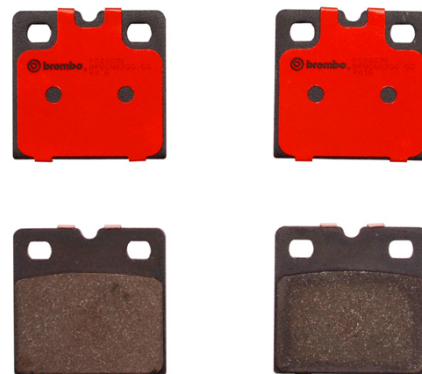


BRAKE PAD NAO P02001N

The P02001N NAO brake pad is synonymous with reliability

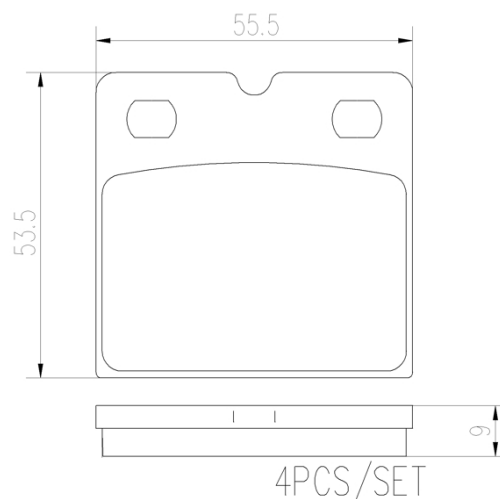
Brembo NAO brake pads stand out for their ultimate braking comfort, reduced friction wear and low dust mission, which makes for cleaner rims and reduced maintenance requirements. The advanced friction material in keeping with the strictest environmental standards is the main distinguishing feature of NAO compounds.

- ✓ OE-equivalent
- ✓ Brembo quality
- ✓ Safety
- ✓ Comfort
- ✓ Durability
- ✓ Dust reduction
- ✓ With accessories



Technical specifications

EAN code	Axle	Thickness
8020584083611	Rear	9 mm
Width	Height	Braking system
56 mm	54 mm	Brembo
Wear indicator	WVA number	Accessories
Without	20610	With anti-squeal shim



COMPATIBLE VEHICLES

COMPATIBLE OE PART NUMBERS

41060CK026	ACURA
43221T6NA52	ACURA
4G432C562BA	ASTON MARTIN
AD432B926BA	ASTON MARTIN
420698451A	AUDI
420698451D	AUDI
450698451A	AUDI
450698451C	AUDI
450698451H	AUDI
450698451N	AUDI
5103794AA	DODGE
5135895AA	DODGE
4L5Z2001AA	FORD
5U2Z2V001M	FORD
BL5Z2001A	FORD
CU2Z2V001H	FORD
05103794AA	FREIGHTLINER
43221T6NA51	HONDA
C2C13800	JAGUAR
446530330	LEXUS
446530480	LEXUS
5U2Z2V001M	MERCURY
5581057L03	SUZUKI
100346000B	TESLA
100346000D	TESLA
446504050	TOYOTA
446535031	TOYOTA
446535040	TOYOTA
446535080	TOYOTA
446535240	TOYOTA
446535280	TOYOTA
446560030	TOYOTA
449135260	TOYOTA
449160080	TOYOTA
306232590	VOLVO
307691990	VOLVO