



BRAKE PAD NAO P06059N

The P06059N NAO brake pad is synonymous with reliability

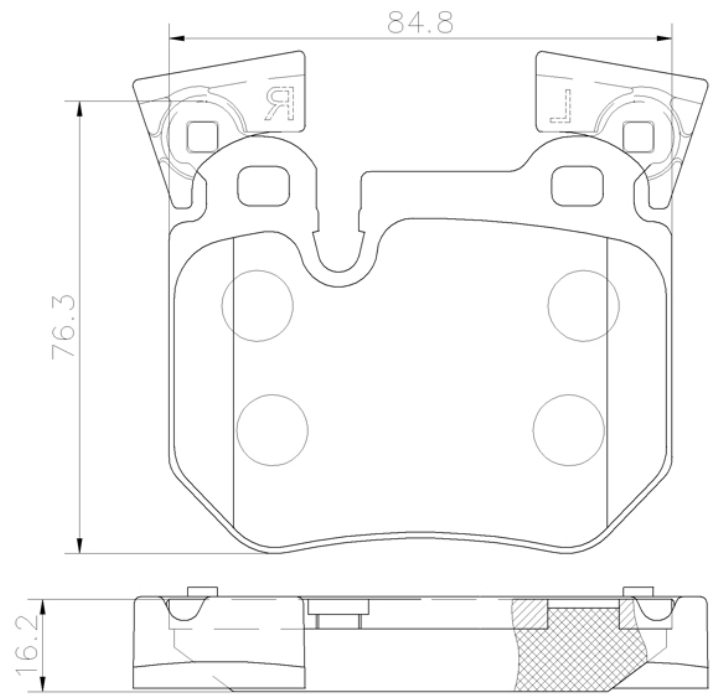
Brembo NAO brake pads stand out for their ultimate braking comfort, reduced friction wear and low dust mission, which makes for cleaner rims and reduced maintenance requirements. The advanced friction material in keeping with the strictest environmental standards is the main distinguishing feature of NAO compounds.

- ✓ OE-equivalent
- ✓ Brembo quality
- ✓ Safety
- ✓ Comfort
- ✓ Durability
- ✓ Dust reduction
- ✓ With accessories



Technical specifications

EAN code	Axle	Thickness
8020584109960	Rear	16 mm
Width	Height	Braking system
87 mm	76 mm	Brembo
Wear indicator	WVA number	Accessories
Prepared for wear indicator	24315	With anti-squeal shim With counterweights



4PCS/SET

COMPATIBLE VEHICLES

COMPATIBLE OE PART NUMBERS

34216784808	BMW
34216791421	BMW
34216797857	BMW
34216797863	BMW