



BRAKE PAD PRIME CERAMIC

P06114N

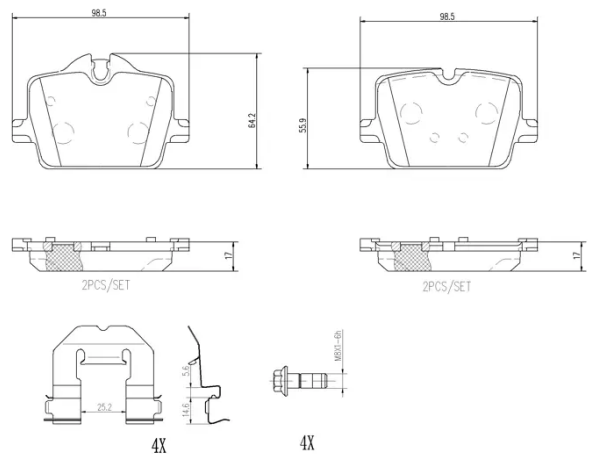
The P06114N NAO brake pad is synonymous with reliability

Brembo NAO brake pads stand out for their ultimate braking comfort, reduced friction wear and low dust mission, which makes for cleaner rims and reduced maintenance requirements. The advanced friction material in keeping with the strictest environmental standards is the main distinguishing feature of NAO compounds.

- ✓ OE-equivalent
- ✓ Brembo quality
- ✓ Safety
- ✓ Comfort
- ✓ Durability
- ✓ Dust reduction
- ✓ With accessories

Technical specifications

EAN code 8020584118917	Axle Rear	Thickness 17 mm
Width 99 mm	Height 56 mm	Braking system TRW
Wear indicator Prepared for wear indicator	WVA number 21434,21433	Accessories With anti-squeal shim With accessories With brake caliper bolts



COMPATIBLE VEHICLES

COMPATIBLE OE PART NUMBERS

34206888831	BMW
-------------	-----

34206888832	BMW
-------------	-----

04466WAA01	TOYOTA
------------	--------

04466WAA02	TOYOTA
------------	--------
