



# BRAKE PAD NAO P10064N

The P10064N NAO brake pad is synonymous with reliability

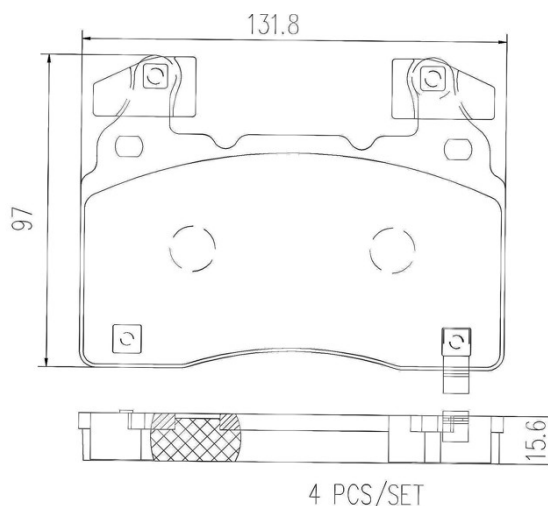
Brembo NAO brake pads stand out for their ultimate braking comfort, reduced friction wear and low dust mission, which makes for cleaner rims and reduced maintenance requirements. The advanced friction material in keeping with the strictest environmental standards is the main distinguishing feature of NAO compounds.

- ✓ OE-equivalent
- ✓ Brembo quality
- ✓ Safety
- ✓ Comfort
- ✓ Durability
- ✓ Dust reduction
- ✓ With accessories



## Technical specifications

EAN code	Axle	Thickness
8020584082157	Front	16 mm
Width	Height	Braking system
132 mm	97 mm	Brembo
Wear indicator	WVA number	Accessories
Acoustic	25915	With anti-squeal shim With counterweights



COMPATIBLE VEHICLES

## COMPATIBLE OE PART NUMBERS

22907156	CHEVROLET
23441307	CHEVROLET
92244289	CHEVROLET
92291022	CHEVROLET
22976409	GENERAL MOTORS
92277173	GENERAL MOTORS
92291022	GENERAL MOTORS
23441307	OPEL
84732488	OPEL
600642900B	TESLA
84732488	VAUXHALL
3510H01ED1	XPENG
3510H01ED10001	XPENG