



BRAKE PAD PRIMECERAMIC P10068N

The P10068N NAO brake pad is synonymous with reliability

Brembo NAO brake pads stand out for their ultimate braking comfort, reduced friction wear and low dust mission, which makes for cleaner rims and reduced maintenance requirements. The advanced friction material in keeping with the strictest environmental standards is the main distinguishing feature of NAO compounds.

- ✓ OE-equivalent
- ✓ Brembo quality
- ✓ Safety
- ✓ Comfort
- ✓ Durability
- ✓ Dust reduction
- ✓ With accessories

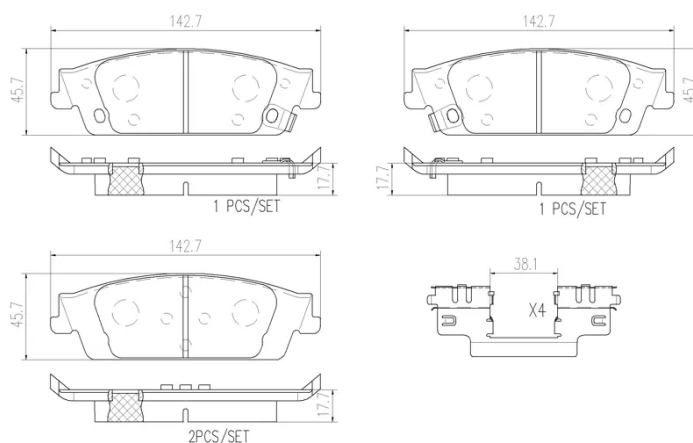


Technical specifications

EAN code Axle Thickness
8020584084595 **Rear** **18 mm**

Width Height
143 mm **46 mm**

Wear indicator Accessories
Acoustic **With anti-squeal shim**
 With accessories



COMPATIBLE VEHICLES

COMPATIBLE OE PART NUMBERS

23135903	CHEVROLET
23164777	CHEVROLET
23453018	CHEVROLET
84176465	CHEVROLET
84176464	GENERAL MOTORS