



BRAKE PAD PRIME CERAMIC P11021N

The P11021N NAO brake pad is synonymous with reliability

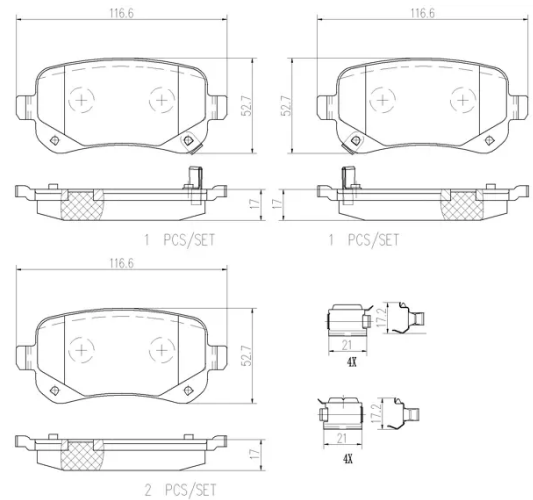
Brembo NAO brake pads stand out for their ultimate braking comfort, reduced friction wear and low dust mission, which makes for cleaner rims and reduced maintenance requirements. The advanced friction material in keeping with the strictest environmental standards is the main distinguishing feature of NAO compounds.

- ✓ OE-equivalent
- ✓ Brembo quality
- ✓ Safety
- ✓ Comfort
- ✓ Durability
- ✓ Dust reduction
- ✓ With accessories



Technical specifications

EAN code 8020584096581	Axle Rear	Thickness 17 mm
Width 117 mm	Height 53 mm	Braking system Lucas
Wear indicator Acoustic	WVA number 24822,24823,24824	Accessories With anti-squeal shim



COMPATIBLE VEHICLES

COMPATIBLE OE PART NUMBERS

00K68159138AA CHRYSLER

00K68159143AA CHRYSLER

068029887AB CHRYSLER

068044761AA CHRYSLER

068044761AB CHRYSLER

068044761AC CHRYSLER

68029887AB CHRYSLER

68044761AA CHRYSLER

68044761AB CHRYSLER

68044761AC CHRYSLER

68159143AA CHRYSLER

K68044761AA CHRYSLER

2AMV4239AA DODGE

2AMV4887AA DODGE

68029887AA DODGE

V2019887AA DODGE

V2019887AB DODGE

00K68159138AA FIAT

00K68159143AA FIAT

00K68192439AA FIAT

00K68192439AB FIAT

K68029887AA FIAT

K68029887AB FIAT

K68159138AA FIAT

K68159143AA FIAT

K68192439AA FIAT

K68192439AB FIAT

5U2Z2Z200BA FORD USA

7B0698451 VW

7B0698451A VW

7B0698451C VW

7B0698451D VW
