



# BRAKE PAD NAO P18026N

The P18026N NAO brake pad is synonymous with reliability

Brembo NAO brake pads stand out for their ultimate braking comfort, reduced friction wear and low dust mission, which makes for cleaner rims and reduced maintenance requirements. The advanced friction material in keeping with the strictest environmental standards is the main distinguishing feature of NAO compounds.

- ✓ OE-equivalent
- ✓ Brembo quality
- ✓ Safety
- ✓ Comfort
- ✓ Durability
- ✓ Dust reduction
- ✓ With accessories

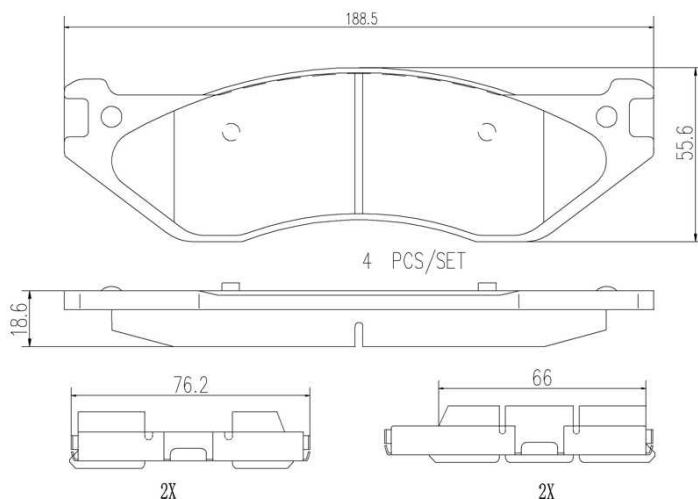


## Technical specifications

EAN code                      Axle                      Thickness  
**8020584081570**            **Front**                      **19 mm**

Width                          Height  
**189 mm**                      **56 mm**

Wear indicator              Accessories  
**Without**                      **With accessories**  
    **With anti-squeal shim**



COMPATIBLE VEHICLES

## COMPATIBLE OE PART NUMBERS

05080556AD	CHRYSLER
------------	----------

05093796AA	CHRYSLER
------------	----------

05102061AA	CHRYSLER
------------	----------

05139733AA	CHRYSLER
------------	----------

5080556AD	CHRYSLER
-----------	----------

5080556AE	CHRYSLER
-----------	----------

5139733AA	CHRYSLER
-----------	----------

5080556AA	DODGE
-----------	-------

5080556AC	DODGE
-----------	-------

5080556AD	DODGE
-----------	-------

5093796AA	DODGE
-----------	-------

5093796AB	DODGE
-----------	-------

5102061AA	DODGE
-----------	-------

5134584AA	DODGE
-----------	-------

5139733AB	DODGE
-----------	-------