

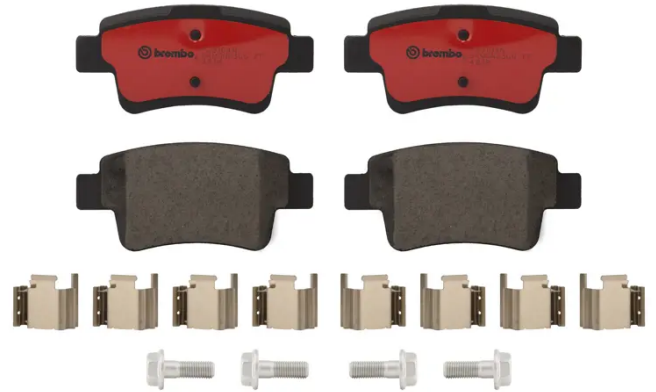


# BRAKE PAD PRIME CERAMIC P23104N

The P23104N NAO brake pad is synonymous with reliability

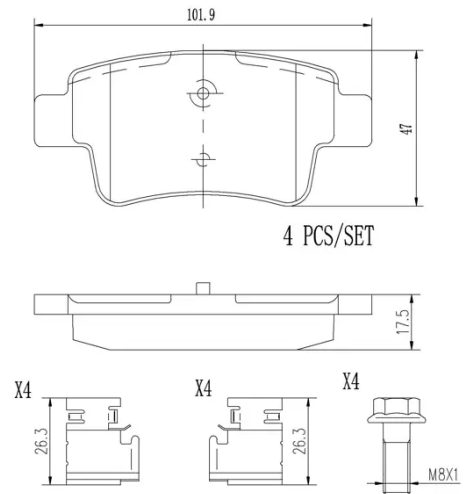
Brembo NAO brake pads stand out for their ultimate braking comfort, reduced friction wear and low dust mission, which makes for cleaner rims and reduced maintenance requirements. The advanced friction material in keeping with the strictest environmental standards is the main distinguishing feature of NAO compounds.

- ✓ OE-equivalent
- ✓ Brembo quality
- ✓ Safety
- ✓ Comfort
- ✓ Durability
- ✓ Dust reduction
- ✓ With accessories



## Technical specifications

EAN code <b>8020584088258</b>	Axle <b>Rear</b>	Thickness <b>18 mm</b>
Width <b>102 mm</b>	Height <b>47 mm</b>	Braking system <b>Bosch</b>
Wear indicator <b>Without</b>	WVA number <b>24349</b>	Accessories <b>With anti-squeal shim</b> <b>With accessories</b> <b>With brake caliper bolts</b>



**COMPATIBLE VEHICLES**

## COMPATIBLE OE PART NUMBERS

50902169 ABARTH

---

71770022 ABARTH

---

71773144 ABARTH

---

77363959 ABARTH

---

50902169 FIAT

---

71770022 FIAT

---

71773144 FIAT

---

77363959 FIAT

---