



BRAKE PAD NAO P24166N

The P24166N NAO brake pad is synonymous with reliability

Brembo NAO brake pads stand out for their ultimate braking comfort, reduced friction wear and low dust mission, which makes for cleaner rims and reduced maintenance requirements. The advanced friction material in keeping with the strictest environmental standards is the main distinguishing feature of NAO compounds.

- ✓ OE-equivalent
- ✓ Brembo quality
- ✓ Safety
- ✓ Comfort
- ✓ Durability
- ✓ Dust reduction
- ✓ With accessories



Technical specifications

EAN code
8020584112359

Axle
Front

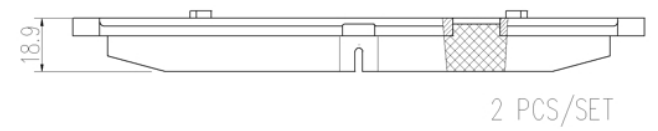
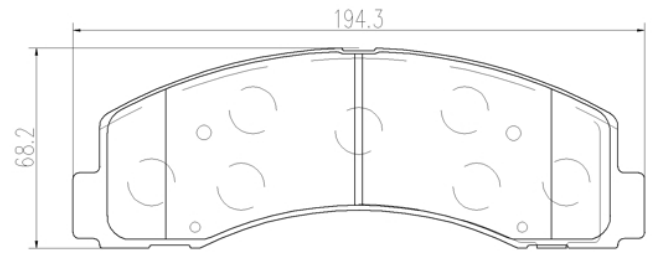
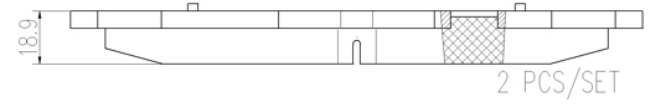
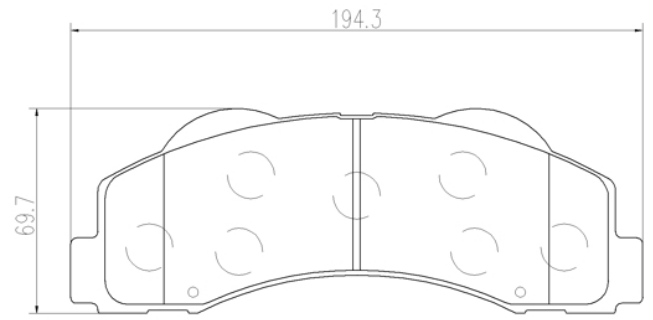
Thickness
19 mm

Width
194 mm

Height
68 mm

Wear indicator
Without

Accessories
With anti-squeal shim



COMPATIBLE VEHICLES

COMPATIBLE OE PART NUMBERS

8L3Z2V001B	FORD
-------------------	------

AL3Z2001A	FORD
------------------	------

AL3Z2001B	FORD
------------------	------

BL3Z2001A	FORD
------------------	------

BL3Z2001B	FORD
------------------	------

BL3Z2001C	FORD
------------------	------

DL3Z2001A	FORD USA
------------------	----------

DL3Z2001B	FORD USA
------------------	----------

FL1Z2001B	FORD USA
------------------	----------

FL1Z2001C	FORD USA
------------------	----------

FL1Z2001D	FORD USA
------------------	----------

FL1Z2001E	FORD USA
------------------	----------

JL3Z2001A	FORD USA
------------------	----------

JL3Z2001B	FORD USA
------------------	----------

KL3Z2001A	FORD USA
------------------	----------

BRF1505	LINCOLN
----------------	---------

BRF7	LINCOLN
-------------	---------

BRF7B	LINCOLN
--------------	---------

BRSD1414	LINCOLN
-----------------	---------

DL3Z2001B	LINCOLN
------------------	---------

F11Z2001A	LINCOLN
------------------	---------

FL1Z2001B	LINCOLN
------------------	---------

FL1Z2001C	LINCOLN
------------------	---------