



BRAKE PAD NAO P24168N

The P24168N NAO brake pad is synonymous with reliability

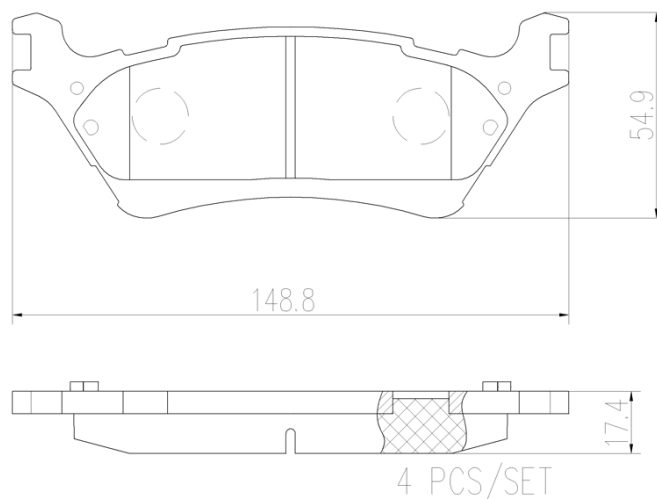
Brembo NAO brake pads stand out for their ultimate braking comfort, reduced friction wear and low dust mission, which makes for cleaner rims and reduced maintenance requirements. The advanced friction material in keeping with the strictest environmental standards is the main distinguishing feature of NAO compounds.

- ✓ OE-equivalent
- ✓ Brembo quality
- ✓ Safety
- ✓ Comfort
- ✓ Durability
- ✓ Dust reduction
- ✓ With accessories



Technical specifications

EAN code	Axle	Thickness
8020584081044	Rear	17 mm
Width	Height	
149 mm	55 mm	
Wear indicator	Accessories	
Without	With anti-squeal shim	



COMPATIBLE VEHICLES

COMPATIBLE OE PART NUMBERS

CL3Z2200A	FORD
-----------	------

CL3Z2200B	FORD
-----------	------

CL3Z2200C	FORD
-----------	------

FU2Z2V200E	FORD
------------	------

FL3Z2200B	FORD USA
-----------	----------

FL3Z2200C	FORD USA
-----------	----------

FL3Z2200D	FORD USA
-----------	----------

FU2Z2V200A	FORD USA
------------	----------

FU2Z2V200G	FORD USA
------------	----------

G2MZ2V200Y	FORD USA
------------	----------