



BRAKE PAD NAO P24172N

The P24172N NAO brake pad is synonymous with reliability

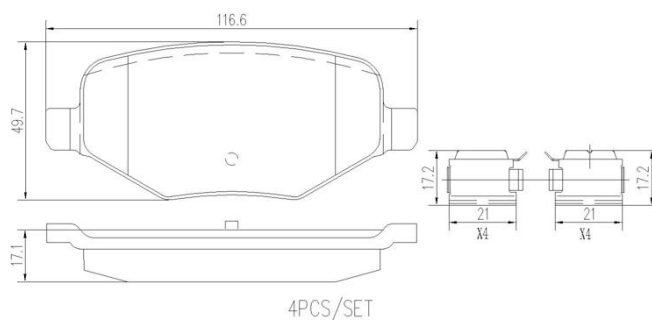
Brembo NAO brake pads stand out for their ultimate braking comfort, reduced friction wear and low dust mission, which makes for cleaner rims and reduced maintenance requirements. The advanced friction material in keeping with the strictest environmental standards is the main distinguishing feature of NAO compounds.

- ✓ OE-equivalent
- ✓ Brembo quality
- ✓ Safety
- ✓ Comfort
- ✓ Durability
- ✓ Dust reduction
- ✓ With accessories



Technical specifications

EAN code 8020584081327	Axle Rear	Thickness 17 mm
Width 117 mm	Height 50 mm	
Wear indicator Without	WVA number 25886	Accessories With anti-squeal shim



COMPATIBLE VEHICLES

COMPATIBLE OE PART NUMBERS

DG1Z2200B	FORD
DG1Z2200C	FORD
DG1Z2200E	FORD
EG1Z2200A	FORD
EG1Z2200C	FORD
AG132200BA	FORD USA
AG1Z2200A	FORD USA
BRF1478	FORD USA
BT432200AA	FORD USA
BT4Z2200A	FORD USA
CT432200AA	FORD USA
CT4Z2200A	FORD USA
DG132M007AB	FORD USA
DG132M007CA	FORD USA
DG132M007CB	FORD USA
DG132M008BB	FORD USA
DG1Z2200D	FORD USA
DG1Z2200E	FORD USA
EG132M007AA	FORD USA
EG132M007CA	FORD USA
EG1Z2200B	FORD USA
EU2J2C453AA	FORD USA
EU2Z2V200A	FORD USA
EU2Z2V200D	FORD USA
FB532M007CB	FORD USA
FB5Z2200C	FORD USA
FG132M007AA	FORD USA
FG1Z2200A	FORD USA
8A8Z2200A	LINCOLN
AA8Z2200A	LINCOLN
AG1Z2200A	LINCOLN
BR1377	LINCOLN
BR1377B	LINCOLN
BRF1377B	LINCOLN
BRF1380	LINCOLN
BRF1441	LINCOLN
BRF1447	LINCOLN
BT4Z2200A	LINCOLN
CT4Z2200A	LINCOLN
EG1Z2200C	LINCOLN
FB5Z2200A	LINCOLN