



BRAKE PAD NAO P24175N

The P24175N NAO brake pad is synonymous with reliability

Brembo NAO brake pads stand out for their ultimate braking comfort, reduced friction wear and low dust mission, which makes for cleaner rims and reduced maintenance requirements. The advanced friction material in keeping with the strictest environmental standards is the main distinguishing feature of NAO compounds.

- ✓ OE-equivalent
- ✓ Brembo quality
- ✓ Safety
- ✓ Comfort
- ✓ Durability
- ✓ Dust reduction
- ✓ With accessories



Technical specifications

EAN code
8020584081617

Axle
Rear

Thickness
16 mm

Width
123 mm

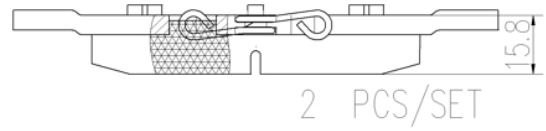
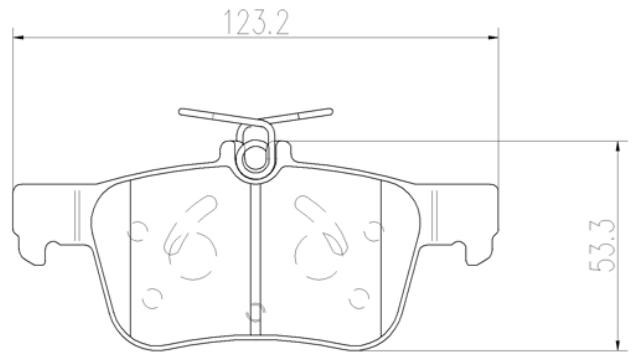
Height
48 mm

Braking system
Teves

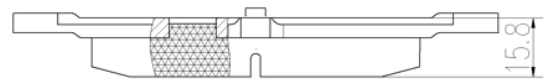
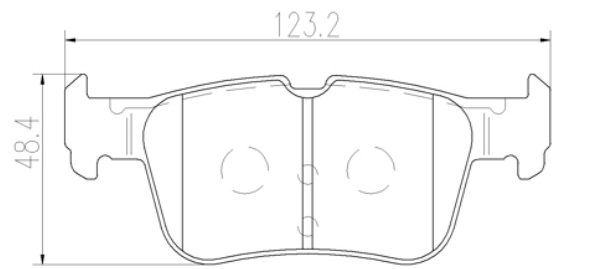
Wear indicator
Without

WVA number
22231,22531

Accessories
With anti-squeal shim



2 PCS/SET



2 PCS/SET

COMPATIBLE VEHICLES

COMPATIBLE OE PART NUMBERS

| | |
|----------------|----------------|
| 2018449 | FORD |
| 2110582 | FORD |
| 2211284 | FORD |
| 2454300 | FORD |
| 2465422 | FORD |
| 5302023 | FORD |
| 5341206 | FORD |
| BRF1579 | FORD |
| BRF35 | FORD |
| DF9Z2200F | FORD |
| DF9Z2200Z | FORD |
| DG9C2M0007AB | FORD |
| DG9C2M007AB | FORD |
| DG9C2M007CB | FORD |
| DG9C2M007GA | FORD |
| DG9Z2200A | FORD |
| DG9Z2200D | FORD |
| DG9Z2200E | FORD |
| DG9Z2200J | FORD |
| DG9Z2200M | FORD |
| DG9Z2200R | FORD |
| K2GZ2200A | FORD |
| KTJ1GC2M007AA | FORD |
| KTJ1GC2M007AB | FORD |
| MEDG9J2M007HA | FORD |
| MEK1GJ2M008AA | FORD |
| 5181857 | FORD (CHANGAN) |
| DG9C2M007AA | FORD (CHANGAN) |
| DG9C2M007AB | FORD (CHANGAN) |
| DG9C2M007AC | FORD (CHANGAN) |
| DG9C2M007CC | FORD (CHANGAN) |
| G2MJ2C453CEA | FORD (CHANGAN) |
| G2MJ2C453CEB | FORD (CHANGAN) |
| G2MZ2V200R | FORD (CHANGAN) |
| KTLX612M007ACA | FORD (CHANGAN) |
| KTLX612M007ACB | FORD (CHANGAN) |
| LX6Z2200C | FORD (CHANGAN) |
| 5302023 | FORD USA |
| BRF30 | FORD USA |
| BRF35 | FORD USA |
| DG9C2M007CB | FORD USA |
| DG9Z2200A | FORD USA |
| DG9Z2200C | FORD USA |
| DG9Z2200F | FORD USA |
| BR1665 | LINCOLN |

| | |
|-------------------|---------------|
| BRF1455 | LINCOLN |
| BRF1474 | LINCOLN |
| DG9Z2200D | LINCOLN |
| FU2Z2V200B | LINCOLN |
| FU2Z2V200D | LINCOLN |
| D40606L50A | NISSAN (DFAC) |