



BRAKE PAD NAO P24200N

The P24200N NAO brake pad is synonymous with reliability

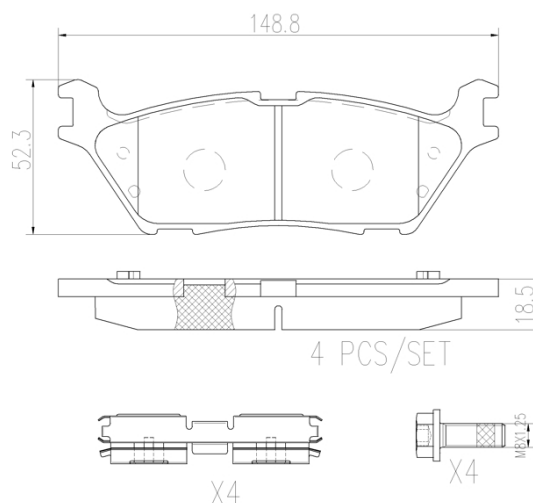
Brembo NAO brake pads stand out for their ultimate braking comfort, reduced friction wear and low dust mission, which makes for cleaner rims and reduced maintenance requirements. The advanced friction material in keeping with the strictest environmental standards is the main distinguishing feature of NAO compounds.

- ✓ OE-equivalent
- ✓ Brembo quality
- ✓ Safety
- ✓ Comfort
- ✓ Durability
- ✓ Dust reduction
- ✓ With accessories



Technical specifications

EAN code	Axle	Thickness
8020584114742	Rear	18 mm
Width	Height	
149 mm	52 mm	
Wear indicator	WVA number	Accessories
Without	22100	With accessories With anti-squeal shim With brake caliper bolts



COMPATIBLE VEHICLES

COMPATIBLE OE PART NUMBERS

FL3Z2200A	FORD USA
-----------	----------

JL3Z2200A	FORD USA
-----------	----------

JL3Z2200B	FORD USA
-----------	----------

KL3Z2200A	FORD USA
-----------	----------

KL3Z2200B	FORD USA
-----------	----------

KL3Z2200C	FORD USA
-----------	----------
