



BRAKE PAD PRIME CERAMIC P24227N

The P24227N NAO brake pad is synonymous with reliability

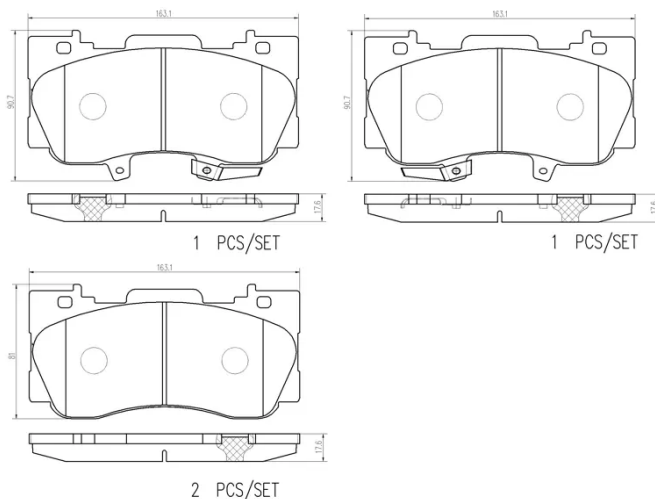
Brembo NAO brake pads stand out for their ultimate braking comfort, reduced friction wear and low dust mission, which makes for cleaner rims and reduced maintenance requirements. The advanced friction material in keeping with the strictest environmental standards is the main distinguishing feature of NAO compounds.

- ✓ OE-equivalent
- ✓ Brembo quality
- ✓ Safety
- ✓ Comfort
- ✓ Durability
- ✓ Dust reduction
- ✓ With accessories



Technical specifications

EAN code 8020584118368	Axle Front	Thickness 18 mm
Width 163 mm	Height 91 mm	Braking system Advics
Wear indicator Acoustic	WVA number 22353,22354,22355	Accessories With anti-squeal shim



COMPATIBLE VEHICLES

COMPATIBLE OE PART NUMBERS

5346407 FORD ASIA & OCEANIA

GR3C2001DB FORD ASIA & OCEANIA

GR3C2001DC FORD ASIA & OCEANIA

2044140 FORD USA

5278344 FORD USA

5285962 FORD USA

5315762 FORD USA

5323583 FORD USA

5346407 FORD USA

FR3C2001BA FORD USA

FR3C2001BB FORD USA

FR3C2001BC FORD USA

FR3Z2001A FORD USA

GR3C2001DB FORD USA

GR3C2001DC FORD USA

GR3C2001DD FORD USA

GR3Z2001A FORD USA
