



# BRAKE PAD NAO P28034N

The P28034N NAO brake pad is synonymous with reliability

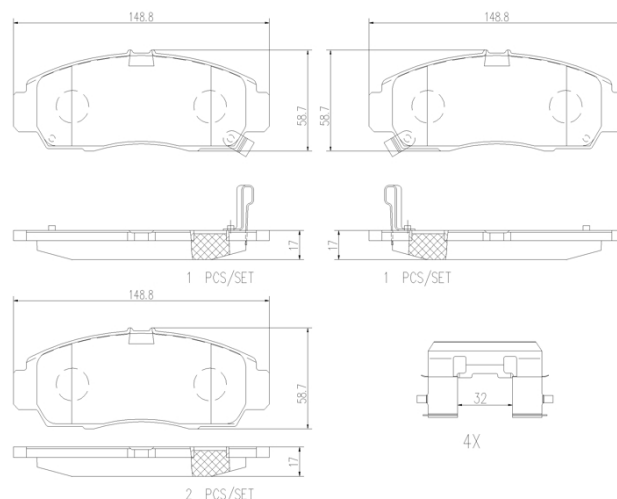
Brembo NAO brake pads stand out for their ultimate braking comfort, reduced friction wear and low dust mission, which makes for cleaner rims and reduced maintenance requirements. The advanced friction material in keeping with the strictest environmental standards is the main distinguishing feature of NAO compounds.

- ✓ OE-equivalent
- ✓ Brembo quality
- ✓ Safety
- ✓ Comfort
- ✓ Durability
- ✓ Dust reduction
- ✓ With accessories



## Technical specifications

|                                   |  |   |
|-----------------------------------|--|---|
| EAN code<br><b>8020584097687</b>  | Axle<br><b>Front</b>                   | Thickness<br><b>17 mm</b>   |
| Width<br><b>149 mm</b>            | Height<br><b>59 mm</b>                 | Braking system<br><b>Nissin</b>   |
| Wear indicator<br><b>Acoustic</b> | WVA number<br><b>23729,24090,24091</b> | Accessories<br><b>With anti-squeal shim</b><br><b>With piston clip</b><br><b>With accessories</b> |



COMPATIBLE VEHICLES

## COMPATIBLE OE PART NUMBERS

45022S0KA12 ACURA

45022SEPA00 ACURA

45022SEPA01 ACURA

45022SEPA10 ACURA

45022SEPA11 ACURA

45022SEPH00 ACURA

45022SZ3A00 ACURA

45022SZ3A50 ACURA

45022TE0999 ACURA

BYDEG3501500 BYD

06450S0KJ01 HONDA

06450S0KJ02 HONDA

06450S3NJ00 HONDA

06450S6EE50 HONDA

06450S7AN00 HONDA

06450SDDA00 HONDA

06450SDDA10 HONDA

06450SEAJ00 HONDA

06450SEAJ01 HONDA

06450SEAJ10 HONDA

06450SFEJ10 HONDA

06450SFEJ20 HONDA

06450SNB000 HONDA

45022S0AJ20 HONDA

45022S0KA01 HONDA

45022S0KA11 HONDA

45022S3N000 HONDA

45022S6EE50 HONDA

45022S7AD00 HONDA

45022S7AD01 HONDA

45022S7AE00 HONDA

45022S7AE50 HONDA

45022S7AN00 HONDA

45022S7AN01 HONDA

45022SDDA00 HONDA

45022SEAJ00 HONDA

45022SEAJ01 HONDA

45022SEAJ02 HONDA

45022SEAJ11 HONDA

45022SEAJ12 HONDA

45022SECA00 HONDA

45022SEPA00 HONDA

45022SFEJ10 HONDA

45022SFEJ20 HONDA

45022SJF305 HONDA

|             |             |
|-------------|-------------|
| 45022SJFE00 | HONDA       |
| 45022SJFJ00 | HONDA       |
| 45022SLEJ00 | HONDA       |
| 45022SMA000 | HONDA       |
| 45022SNB000 | HONDA       |
| 45022SNB010 | HONDA       |
| 45022SNBE00 | HONDA       |
| 45022SNBE01 | HONDA       |
| 45022SNNM00 | HONDA       |
| 45022SNNM02 | HONDA       |
| 45022SZ3G00 | HONDA       |
| 45022TA0A60 | HONDA       |
| 45022TA0Y00 | HONDA       |
| 45022TE0A60 | HONDA       |
| 45022TE0A61 | HONDA       |
| 45022TL2A00 | HONDA       |
| 45022TR0E00 | HONDA       |
| 45022TR0E01 | HONDA       |
| 45022TR0E02 | HONDA       |
| 45022TR0E50 | HONDA       |
| 45022TR0E51 | HONDA       |
| 45022TS6H50 | HONDA       |
| 45022TSEK01 | HONDA       |
| AY040HN024  | HONDA       |
| H4502S7A901 | HONDA       |
| H4502SDD000 | HONDA       |
| H4502SDD003 | HONDA       |
| H4502SEA003 | HONDA       |
| H4502SFE000 | HONDA       |
| H4502SLE000 | HONDA       |
| H4502SMA003 | HONDA       |
| H4502SZ3003 | HONDA       |
| 45022TA0Y00 | HONDA (GAC) |
| 45022TA0Y00 | PROTON      |