



# BRAKE PAD PRIME CERAMIC P30055N

The P30055N NAO brake pad is synonymous with reliability

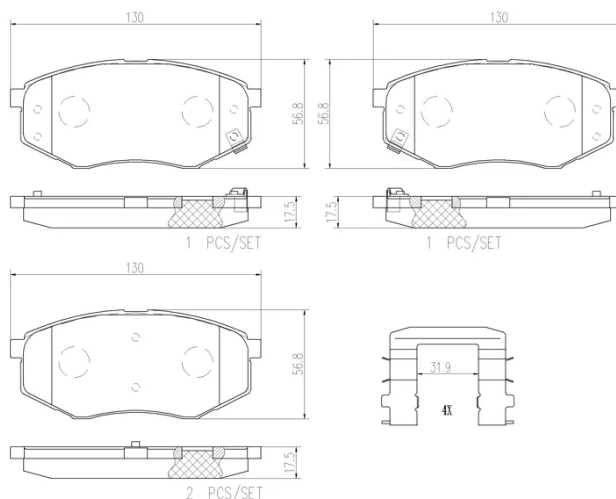
Brembo NAO brake pads stand out for their ultimate braking comfort, reduced friction wear and low dust mission, which makes for cleaner rims and reduced maintenance requirements. The advanced friction material in keeping with the strictest environmental standards is the main distinguishing feature of NAO compounds.

- ✓ OE-equivalent
- ✓ Brembo quality
- ✓ Safety
- ✓ Comfort
- ✓ Durability
- ✓ Dust reduction
- ✓ With accessories



## Technical specifications

EAN code <b>8020584082539</b>	Axle <b>Front</b>	Thickness <b>18 mm</b>
Width <b>130 mm</b>	Height <b>57 mm</b>	Braking system <b>Mando</b>
Wear indicator <b>Acoustic</b>	WVA number <b>25189,25187,25188</b>	Accessories <b>With anti-squeal shim</b>



COMPATIBLE VEHICLES

## COMPATIBLE OE PART NUMBERS

581011KA00	HYUNDAI
581012SA00	HYUNDAI
581012SA30	HYUNDAI
581013SA21	HYUNDAI
581013SA25	HYUNDAI
581013SA26	HYUNDAI
58101B3A00	HYUNDAI
58101C1A00	HYUNDAI
58101D4A00	HYUNDAI
58101B3A00	HYUNDAI (BEIJING)
58101B3A50	HYUNDAI (BEIJING)
58101B2A10	KIA
58101B2A70	KIA
58101D1A00	KIA
58101D4A00	KIA
58101B2A70	KIA
58101B3A70	KIA (DYK)
58101D1A00	KIA (DYK)