



BRAKE PAD NAO P49039N

The P49039N NAO brake pad is synonymous with reliability

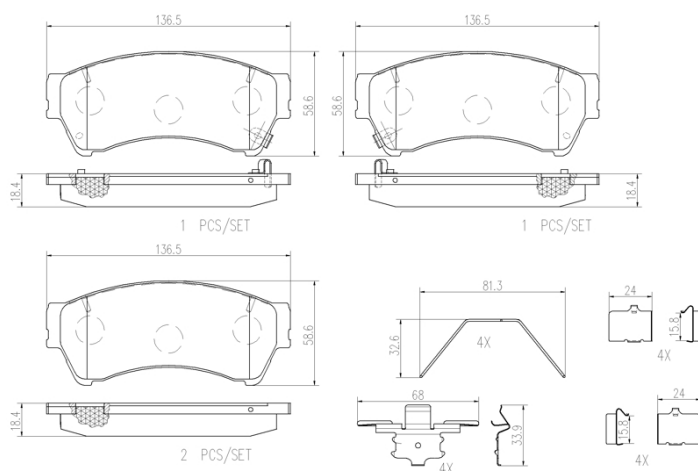
Brembo NAO brake pads stand out for their ultimate braking comfort, reduced friction wear and low dust mission, which makes for cleaner rims and reduced maintenance requirements. The advanced friction material in keeping with the strictest environmental standards is the main distinguishing feature of NAO compounds.

- ✓ OE-equivalent
- ✓ Brembo quality
- ✓ Safety
- ✓ Comfort
- ✓ Durability
- ✓ Dust reduction
- ✓ With accessories



Technical specifications

EAN code 8020584098349	Axle Front	Thickness 18 mm
Width 137 mm	Height 59 mm	Braking system Akebono
Wear indicator Acoustic	WVA number 24582,24630,24629	Accessories With accessories With anti-squeal shim



COMPATIBLE VEHICLES

COMPATIBLE OE PART NUMBERS

B5DA03328Z	FAW
6U2Z2V001F	FORD
6E5Z2001A	FORD USA
6E5Z2001B	FORD USA
6E5Z2001C	FORD USA
6U2Z2V001D	FORD USA
6U2Z2V001F	FORD USA
7E5Z2001A	FORD USA
9E5Z2001A	FORD USA
6E5Z2001B	LINCOLN
6E5Z2001C	LINCOLN
6U2Z2V001D	LINCOLN
6U2Z2V001F	LINCOLN
G3YA3328Z	MAZDA
GPYB3323ZD	MAZDA
GPYB3323ZE	MAZDA
GPYB3323ZG	MAZDA
GPYB3328Z	MAZDA
GPYB3328ZF	MAZDA
GSYD3323Z	MAZDA
GSYD3323ZA	MAZDA
GSYD3328Z	MAZDA
GSYD3328Z9C	MAZDA
GSYD3328ZA	MAZDA
GSYD3328ZB	MAZDA
GVYD3328Z	MAZDA
GVYD3328Z	MAZDA (FAW)
6E5Z2001B	MERCURY
6E5Z2001C	MERCURY
6U2Z2V001D	MERCURY
6U2Z2V001F	MERCURY
GSYD3329ZA	MINI