



BRAKE PAD NAO P49041N

The P49041N NAO brake pad is synonymous with reliability



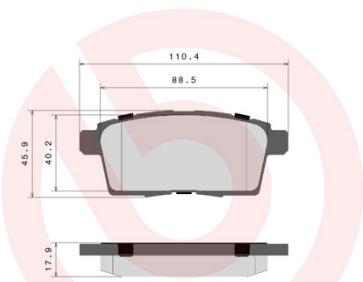
Brembo NAO brake pads stand out for their ultimate braking comfort, reduced friction wear and low dust mission, which makes for cleaner rims and reduced maintenance requirements. The advanced friction material in keeping with the strictest environmental standards is the main distinguishing feature of NAO compounds.

- ✓ OE-equivalent
- ✓ Brembo quality
- ✓ Safety
- ✓ Comfort
- ✓ Durability
- ✓ Dust reduction
- ✓ With accessories



Technical specifications

EAN code 8020584112243	Axle Rear	Thickness 18 mm
Width 111 mm	Height 46 mm	Braking system Akebono
Wear indicator Without	WVA number 24545	Accessories With accessories With anti-squeal shim

	P49041N		407.E672.421.N
			
WVA: 24545 QTY: x4			
DATE : 07/12/2023 VERSION : 00			

COMPATIBLE VEHICLES

COMPATIBLE OE PART NUMBERS

7T412200AA	FORD
------------	------

7T4Z2200A	FORD
-----------	------

7T4Z2V200AA	FORD
-------------	------

7U2J2C453AA	FORD
-------------	------

8T4Z2200A	FORD
-----------	------

7T4Z2V200A	LINCOLN
------------	---------

EHY42643Z	MAZDA
-----------	-------

EHY42648Z	MAZDA
-----------	-------

EHY52643ZA	MAZDA
------------	-------

L2Y62643Z	MAZDA
-----------	-------

L2Y62648Z	MAZDA
-----------	-------

L2Y72643Z	MAZDA
-----------	-------

L2Y72643ZA	MAZDA
------------	-------

L2Y72643ZB	MAZDA
------------	-------

L2Y72648ZA	MAZDA
------------	-------

L2Y82643ZA	MAZDA
------------	-------

L2Y82643ZB	MAZDA
------------	-------

L2Y62649Z	MITSUBISHI
-----------	------------

L2Y72648Z	MITSUBISHI
-----------	------------