



BRAKE PAD NAO P49050N

The P49050N NAO brake pad is synonymous with reliability

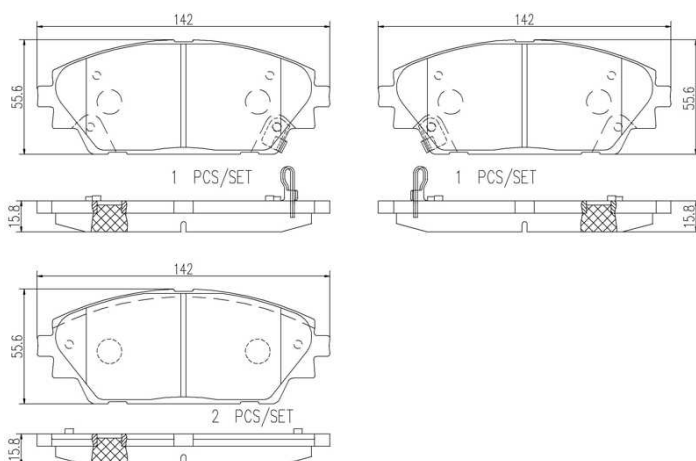
Brembo NAO brake pads stand out for their ultimate braking comfort, reduced friction wear and low dust mission, which makes for cleaner rims and reduced maintenance requirements. The advanced friction material in keeping with the strictest environmental standards is the main distinguishing feature of NAO compounds.

- ✓ OE-equivalent
- ✓ Brembo quality
- ✓ Safety
- ✓ Comfort
- ✓ Durability
- ✓ Dust reduction
- ✓ With accessories



Technical specifications

EAN code 8020584082294	Axle Front	Thickness 16 mm
Width 142 mm	Height 56 mm	Braking system Akebono
Wear indicator Acoustic	WVA number 25875,25876,25877	Accessories With anti-squeal shim



COMPATIBLE VEHICLES

COMPATIBLE OE PART NUMBERS

B4Y03328ZA	MAZDA
B4Y03328ZB	MAZDA
B6Y53328Z	MAZDA
B6Y53328ZA	MAZDA
B6Y53328ZB	MAZDA
BHY13328ZA	MAZDA
BHY13328ZA9C	MAZDA
D4Y53328ZA	MAZDA
DSYG3328Z	MAZDA
DFY53328Z	MAZDA
DGY93328Z	MAZDA
D4Y53328Z	MAZDA (CHANGAN)