



BRAKE PAD NAO

P50045N

The P50045N NAO brake pad is synonymous with reliability

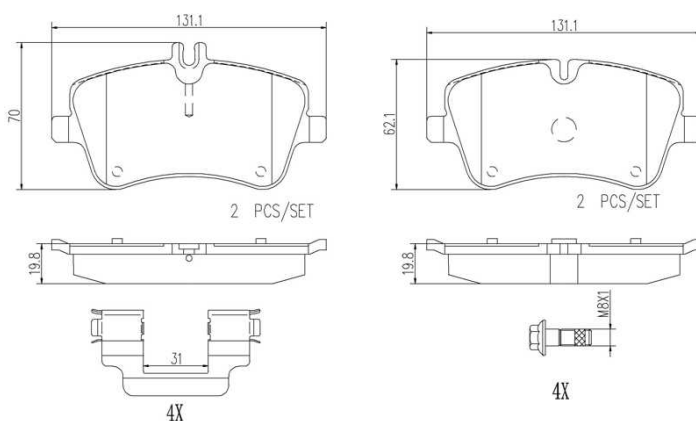
Brembo NAO brake pads stand out for their ultimate braking comfort, reduced friction wear and low dust mission, which makes for cleaner rims and reduced maintenance requirements. The advanced friction material in keeping with the strictest environmental standards is the main distinguishing feature of NAO compounds.

- ✓ OE-equivalent
- ✓ Brembo quality
- ✓ Safety
- ✓ Comfort
- ✓ Durability
- ✓ Dust reduction
- ✓ With accessories



Technical specifications

EAN code 8020584098479	Axle Front	Thickness 20 mm
Width 131 mm	Height 62 mm	Braking system Lucas
Wear indicator Prepared for wear indicator	WVA number 23145,23144	Accessories With anti-squeal shim With brake caliper bolts With accessories



COMPATIBLE VEHICLES

COMPATIBLE OE PART NUMBERS

0034202520	MERCEDES-BENZ
------------	---------------

0034204520	MERCEDES-BENZ
------------	---------------

0034205920	MERCEDES-BENZ
------------	---------------

0034209520	MERCEDES-BENZ
------------	---------------

0054206220	MERCEDES-BENZ
------------	---------------

A0034202520	MERCEDES-BENZ
-------------	---------------

A0034204520	MERCEDES-BENZ
-------------	---------------

A0034205920	MERCEDES-BENZ
-------------	---------------

A0034209520	MERCEDES-BENZ
-------------	---------------

A0054206220	MERCEDES-BENZ
-------------	---------------