



BRAKE PAD NAO P50069N

The P50069N NAO brake pad is synonymous with reliability

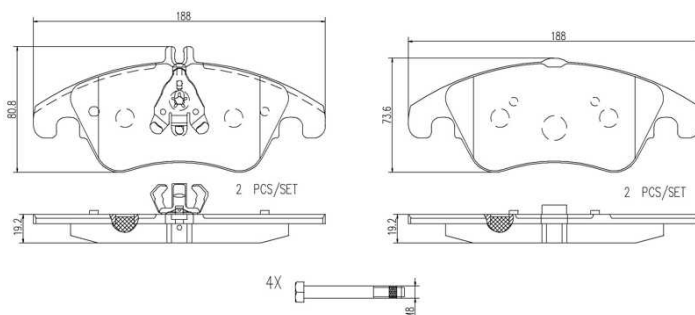
Brembo NAO brake pads stand out for their ultimate braking comfort, reduced friction wear and low dust mission, which makes for cleaner rims and reduced maintenance requirements. The advanced friction material in keeping with the strictest environmental standards is the main distinguishing feature of NAO compounds.

- ✓ OE-equivalent
- ✓ Brembo quality
- ✓ Safety
- ✓ Comfort
- ✓ Durability
- ✓ Dust reduction
- ✓ With accessories



Technical specifications

EAN code 8020584112588	Axle Front	Thickness 19 mm
Width 188 mm	Height 74 mm	Braking system Lucas
Wear indicator Prepared for wear indicator	WVA number 24311,24456,24310	Accessories With brake caliper bolts With piston clip With anti-squeal shim



COMPATIBLE VEHICLES

COMPATIBLE OE PART NUMBERS

0004200105 MERCEDES-BENZ

0004209004 MERCEDES-BENZ

0054201020 MERCEDES-BENZ

0054201320 MERCEDES-BENZ

0054201620 MERCEDES-BENZ

0064202820 MERCEDES-BENZ

0074205820 MERCEDES-BENZ

0074207520 MERCEDES-BENZ

A0004200105 MERCEDES-BENZ

A0004209004 MERCEDES-BENZ

A0054201020 MERCEDES-BENZ

A0054201320 MERCEDES-BENZ

A0054201620 MERCEDES-BENZ

A0064202820 MERCEDES-BENZ

A0074205820 MERCEDES-BENZ

A0074207520 MERCEDES-BENZ
