



# BRAKE PAD NAO P50087N

The P50087N NAO brake pad is synonymous with reliability

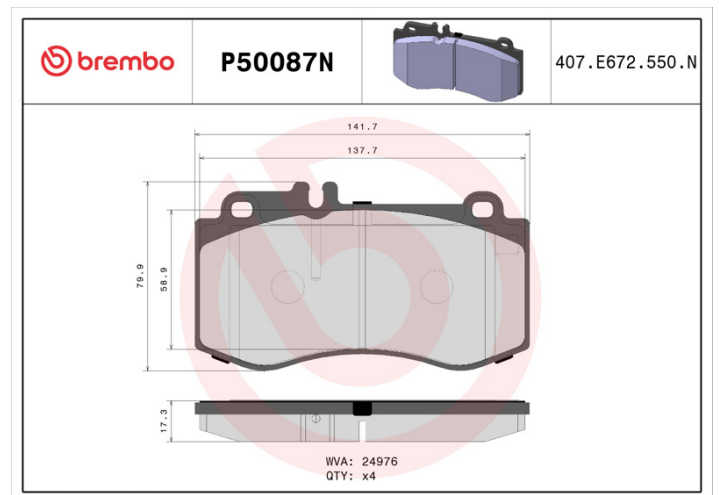
Brembo NAO brake pads stand out for their ultimate braking comfort, reduced friction wear and low dust mission, which makes for cleaner rims and reduced maintenance requirements. The advanced friction material in keeping with the strictest environmental standards is the main distinguishing feature of NAO compounds.

- ✓ OE-equivalent
- ✓ Brembo quality
- ✓ Safety
- ✓ Comfort
- ✓ Durability
- ✓ Dust reduction
- ✓ With accessories



## Technical specifications

|  |                            |   |
|--|----------------------------|---|
| EAN code<br><b>8020584080481</b>                     | Axle<br><b>Front</b>       | Thickness<br><b>17 mm</b>                   |
| Width<br><b>142 mm</b>                               | Height<br><b>80 mm</b>     | Braking system<br><b>Brembo</b>             |
| Wear indicator<br><b>Prepared for wear indicator</b> | WVA number<br><b>24976</b> | Accessories<br><b>With anti-squeal shim</b> |



COMPATIBLE VEHICLES

## COMPATIBLE OE PART NUMBERS

0054207720 MERCEDES-BENZ

---

0054208520 MERCEDES-BENZ

---

0074204920 MERCEDES-BENZ

---

0074206320 MERCEDES-BENZ

---

0074206420 MERCEDES-BENZ

---

A0054207720 MERCEDES-BENZ

---

A0054208520 MERCEDES-BENZ

---

A0074204920 MERCEDES-BENZ

---

A0074206320 MERCEDES-BENZ

---

A0074206420 MERCEDES-BENZ

---