



BRAKE PAD NAO P50091N

The P50091N NAO brake pad is synonymous with reliability

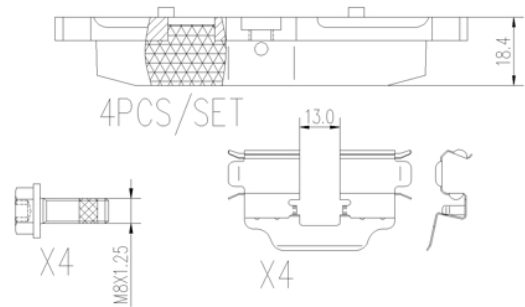
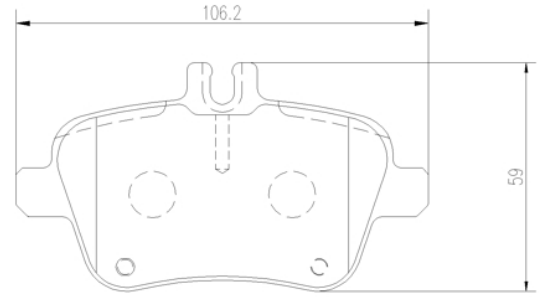
Brembo NAO brake pads stand out for their ultimate braking comfort, reduced friction wear and low dust mission, which makes for cleaner rims and reduced maintenance requirements. The advanced friction material in keeping with the strictest environmental standards is the main distinguishing feature of NAO compounds.

- ✓ OE-equivalent
- ✓ Brembo quality
- ✓ Safety
- ✓ Comfort
- ✓ Durability
- ✓ Dust reduction
- ✓ With accessories



Technical specifications

EAN code	Axle	Thickness
8020584082041	Rear	18 mm
Width	Height	Braking system
106 mm	59 mm	TRW
Wear indicator	WVA number	Accessories
Prepared for wear indicator	24848	With anti-squeal shim With brake caliper bolts With accessories



COMPATIBLE VEHICLES

COMPATIBLE OE PART NUMBERS

0064202320	MERCEDES-BENZ
0064207920	MERCEDES-BENZ
0074209420	MERCEDES-BENZ
A0004200605	MERCEDES-BENZ
A0064202320	MERCEDES-BENZ
A0064207920	MERCEDES-BENZ
A0074209420	MERCEDES-BENZ