



BRAKE PAD PRIME CERAMIC P50109N

The P50109N NAO brake pad is synonymous with reliability

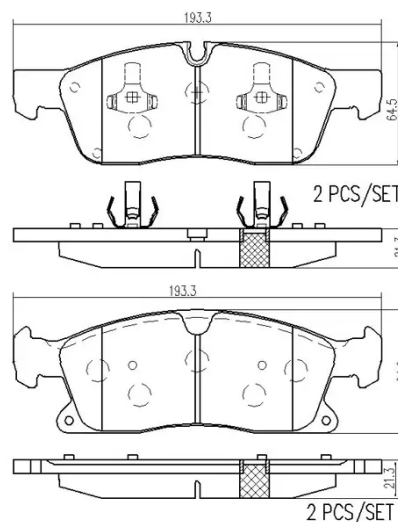
Brembo NAO brake pads stand out for their ultimate braking comfort, reduced friction wear and low dust mission, which makes for cleaner rims and reduced maintenance requirements. The advanced friction material in keeping with the strictest environmental standards is the main distinguishing feature of NAO compounds.

- ✓ OE-equivalent
- ✓ Brembo quality
- ✓ Safety
- ✓ Comfort
- ✓ Durability
- ✓ Dust reduction
- ✓ With accessories



Technical specifications

EAN code 8020584080504	Axle Front	Thickness 21 mm
Width 193 mm	Height 65 mm	Braking system Teves
Wear indicator Prepared for wear indicator	WVA number 25192,25500	Accessories With accessories With anti-squeal shim With piston clip



COMPATIBLE VEHICLES

COMPATIBLE OE PART NUMBERS

0004208804 MERCEDES-BENZ

0004209600 MERCEDES-BENZ

0064203820 MERCEDES-BENZ

0074208020 MERCEDES-BENZ

A0004208804 MERCEDES-BENZ

A0004209600 MERCEDES-BENZ

A0064203820 MERCEDES-BENZ

A0074208020 MERCEDES-BENZ
