



BRAKE PAD NAO P50114N

The P50114N NAO brake pad is synonymous with reliability

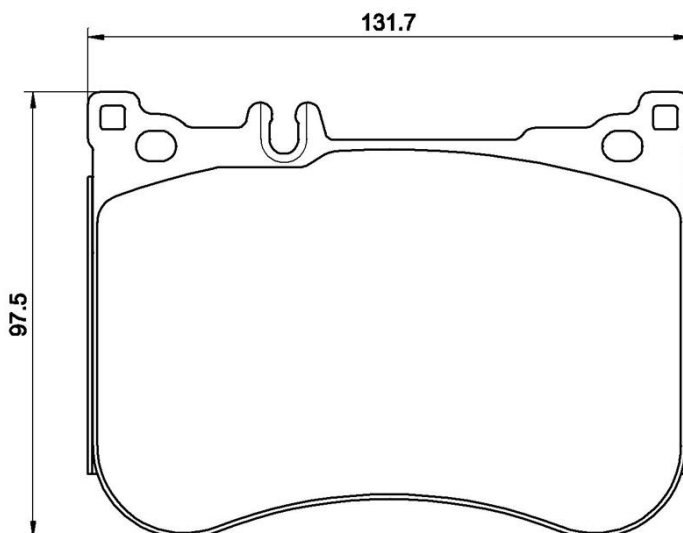
Brembo NAO brake pads stand out for their ultimate braking comfort, reduced friction wear and low dust mission, which makes for cleaner rims and reduced maintenance requirements. The advanced friction material in keeping with the strictest environmental standards is the main distinguishing feature of NAO compounds.

- ✓ OE-equivalent
- ✓ Brembo quality
- ✓ Safety
- ✓ Comfort
- ✓ Durability
- ✓ Dust reduction
- ✓ With accessories



Technical specifications

EAN code	Axle	Thickness
8020584113882	Front	18 mm
Width	Height	Braking system
132 mm	98 mm	Brembo
Wear indicator	WVA number	Accessories
Prepared for wear indicator	25179	With anti-squeal shim



COMPATIBLE VEHICLES

COMPATIBLE OE PART NUMBERS

0004201006	MERCEDES-BENZ
------------	---------------

0054206420	MERCEDES-BENZ
------------	---------------

0064200820	MERCEDES-BENZ
------------	---------------

0064208820	MERCEDES-BENZ
------------	---------------

A0004201006	MERCEDES-BENZ
-------------	---------------
