



BRAKE PAD NAO P50119N

The P50119N NAO brake pad is synonymous with reliability

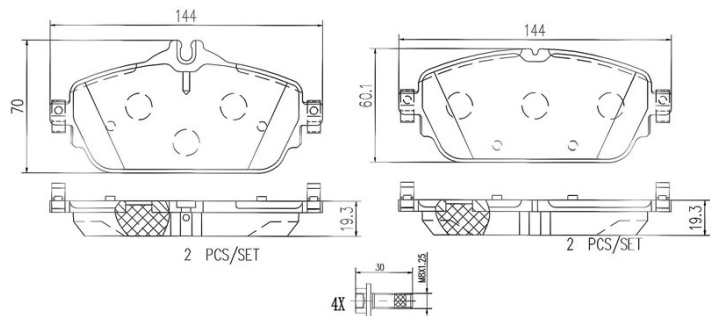
Brembo NAO brake pads stand out for their ultimate braking comfort, reduced friction wear and low dust mission, which makes for cleaner rims and reduced maintenance requirements. The advanced friction material in keeping with the strictest environmental standards is the main distinguishing feature of NAO compounds.

- ✓ OE-equivalent
- ✓ Brembo quality
- ✓ Safety
- ✓ Comfort
- ✓ Durability
- ✓ Dust reduction
- ✓ With accessories



Technical specifications

EAN code 8020584089040	Axle Front	Thickness 19 mm
Width 144 mm	Height 70 mm	Braking system TRW
Wear indicator Acoustic	WVA number 22031,22032	Accessories With anti-squeal shim



COMPATIBLE VEHICLES

COMPATIBLE OE PART NUMBERS

0004204500	MERCEDES-BENZ
0004208903	MERCEDES-BENZ
0004209703	MERCEDES-BENZ
0074204620	MERCEDES-BENZ
0084203120	MERCEDES-BENZ
0084203720	MERCEDES-BENZ
A0004204500	MERCEDES-BENZ
A0004208903	MERCEDES-BENZ
A0004209703	MERCEDES-BENZ
A0074204620	MERCEDES-BENZ
A0084203120	MERCEDES-BENZ
A0084203720	MERCEDES-BENZ
0084203120	MERCEDES-BENZ (BBDC)
A0084203120	MERCEDES-BENZ (BBDC)