



BRAKE PAD NAO P50123N

The P50123N NAO brake pad is synonymous with reliability

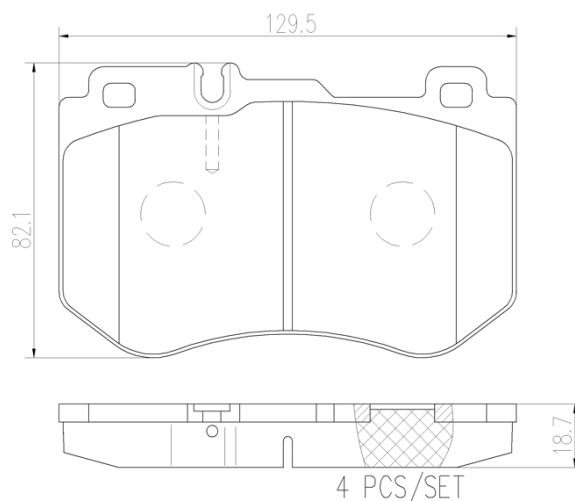
Brembo NAO brake pads stand out for their ultimate braking comfort, reduced friction wear and low dust mission, which makes for cleaner rims and reduced maintenance requirements. The advanced friction material in keeping with the strictest environmental standards is the main distinguishing feature of NAO compounds.

- ✓ OE-equivalent
- ✓ Brembo quality
- ✓ Safety
- ✓ Comfort
- ✓ Durability
- ✓ Dust reduction
- ✓ With accessories



Technical specifications

EAN code 8020584089071	Axle Front	Thickness 19 mm
Width 130 mm	Height 82 mm	Braking system Brembo
Wear indicator Prepared for wear indicator	WVA number 25997	Accessories With anti-squeal shim



COMPATIBLE VEHICLES

COMPATIBLE OE PART NUMBERS

0004209503	MERCEDES-BENZ
------------	---------------

0084201720	MERCEDES-BENZ
------------	---------------

A0004209503	MERCEDES-BENZ
-------------	---------------

A0084201720	MERCEDES-BENZ
-------------	---------------
