



BRAKE PAD PRIME CERAMIC P50124N

The P50124N NAO brake pad is synonymous with reliability

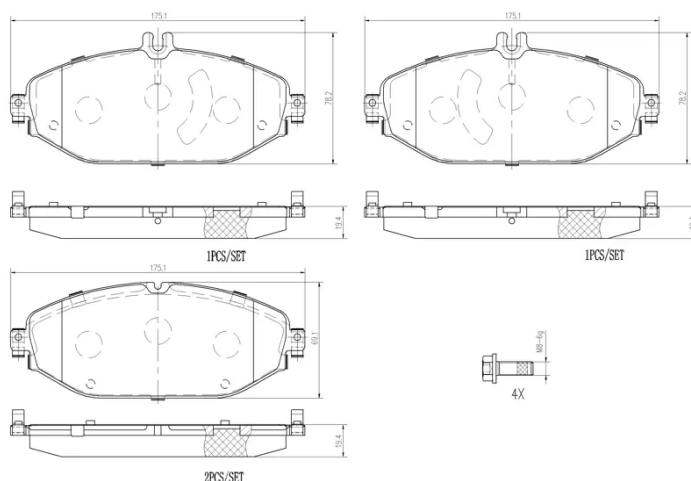
Brembo NAO brake pads stand out for their ultimate braking comfort, reduced friction wear and low dust mission, which makes for cleaner rims and reduced maintenance requirements. The advanced friction material in keeping with the strictest environmental standards is the main distinguishing feature of NAO compounds.

- ✓ OE-equivalent
- ✓ Brembo quality
- ✓ Safety
- ✓ Comfort
- ✓ Durability
- ✓ Dust reduction
- ✓ With accessories



Technical specifications

EAN code 8020584086728	Axle Front	Thickness 19 mm
Width 175 mm	Height 69 mm	Braking system Lucas
Wear indicator Prepared for wear indicator	WVA number 22076,22097	Accessories With accessories With anti-squeal shim With brake caliper bolts



COMPATIBLE VEHICLES

COMPATIBLE OE PART NUMBERS

0004209300	MERCEDES-BENZ
0004209803	MERCEDES-BENZ
0084202820	MERCEDES-BENZ
0084203820	MERCEDES-BENZ
0084209300	MERCEDES-BENZ
A0004209300	MERCEDES-BENZ
A0004209803	MERCEDES-BENZ
A0084202820	MERCEDES-BENZ
A0084203820	MERCEDES-BENZ
A0084209300	MERCEDES-BENZ
0004209103	MERCEDES-BENZ (BBDC)
A0004209103	MERCEDES-BENZ (BBDC)