

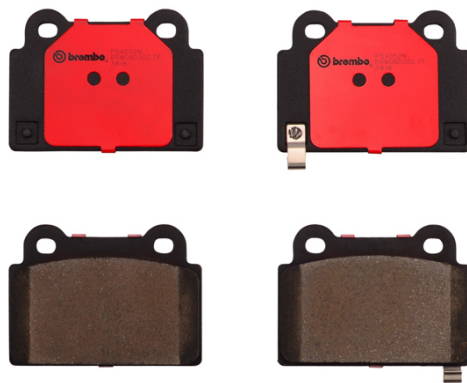


# BRAKE PAD NAO P54052N

The P54052N NAO brake pad is synonymous with reliability

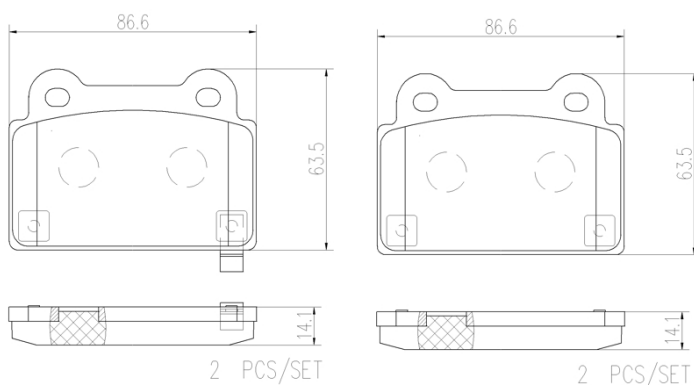
Brembo NAO brake pads stand out for their ultimate braking comfort, reduced friction wear and low dust mission, which makes for cleaner rims and reduced maintenance requirements. The advanced friction material in keeping with the strictest environmental standards is the main distinguishing feature of NAO compounds.

- ✓ OE-equivalent
- ✓ Brembo quality
- ✓ Safety
- ✓ Comfort
- ✓ Durability
- ✓ Dust reduction
- ✓ With accessories



## Technical specifications

|                                   |                                  |                                             |
|-----------------------------------|----------------------------------|---------------------------------------------|
| EAN code<br><b>8020584083420</b>  | Axle<br><b>Rear</b>              | Thickness<br><b>14 mm</b>                   |
| Width<br><b>87 mm</b>             | Height<br><b>64 mm</b>           | Braking system<br><b>Brembo</b>             |
| Wear indicator<br><b>Acoustic</b> | WVA number<br><b>24849,24827</b> | Accessories<br><b>With anti-squeal shim</b> |



COMPATIBLE VEHICLES

## COMPATIBLE OE PART NUMBERS

460SA584 MITSUBISHI

---

460SA695 MITSUBISHI

---

460SB924 MITSUBISHI

---

460SC025 MITSUBISHI

---