



# BRAKE PAD NAO P54059N

The P54059N NAO brake pad is synonymous with reliability



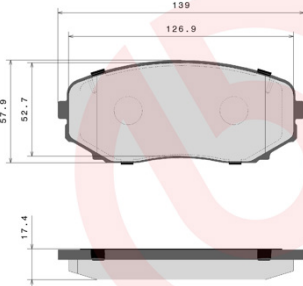


Brembo NAO brake pads stand out for their ultimate braking comfort, reduced friction wear and low dust mission, which makes for cleaner rims and reduced maintenance requirements. The advanced friction material in keeping with the strictest environmental standards is the main distinguishing feature of NAO compounds.

- ✓ OE-equivalent
- ✓ Brembo quality
- ✓ Safety
- ✓ Comfort
- ✓ Durability
- ✓ Dust reduction
- ✓ With accessories



## Technical specifications

EAN code <b>8020584113301</b>	Axle <b>Front</b>	Thickness <b>17 mm</b>
Width <b>139 mm</b>	Height <b>58 mm</b>	Braking system <b>Advics</b>
Wear indicator <b>Acoustic</b>	WVA number <b>23515</b>	Accessories <b>With accessories With anti-squeal shim</b>

	<b>P54059N</b>		407.E672.309.N
		ACUSTIC WEAR INDICATOR 07.E654.019 - x2   SPRING 07.E657.035 - x4 	
WVA: 23515 QTY: x4			
<small>DATE : 10/01/2024 VERSION : 00</small>			

COMPATIBLE VEHICLES

## COMPATIBLE OE PART NUMBERS

7T432001AA FORD

---

7T4Z2001A FORD

---

7T4Z2V001AA FORD

---

7U2J2C452AA FORD

---

8T432200BA FORD

---

BT432001AB FORD

---

BT4Z2001A FORD

---

BT4Z2001B FORD

---

BT432001AA FORD USA

---

BT4Z2001A FORD USA

---

BR1258B LINCOLN

---

BRF901 LINCOLN

---

BT4Z2001A LINCOLN

---

4605C248 MAZDA

---

EHY23328Z MAZDA

---

EHY43328Z MAZDA

---

EHY53328ZA MAZDA

---

EHY53328ZB MAZDA

---

L26Y3328ZA MAZDA

---

L2Y63323Z MAZDA

---

L2Y63328Z MAZDA

---

L2Y63328ZA MAZDA

---

TAY03328Z MAZDA

---

TKY83328Z MAZDA

---

TKY83328ZA MAZDA

---

TKY83328ZB MAZDA

---

4605B541 MITSUBISHI

---

L2Y63328Z MITSUBISHI

---

L2Y63328ZB MITSUBISHI

---

L2Y63329Z MITSUBISHI

---