



BRAKE PAD NAO

P54063N

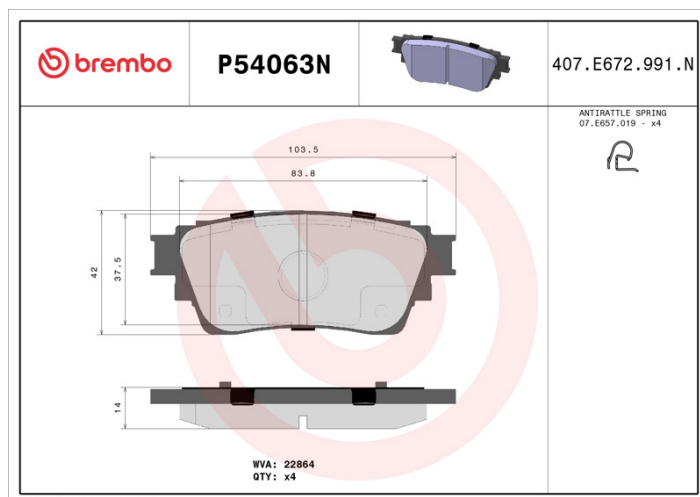
The P54063N NAO brake pad is synonymous with reliability

Brembo NAO brake pads stand out for their ultimate braking comfort, reduced friction wear and low dust mission, which makes for cleaner rims and reduced maintenance requirements. The advanced friction material in keeping with the strictest environmental standards is the main distinguishing feature of NAO compounds.

- ✓ OE-equivalent
- ✓ Brembo quality
- ✓ Safety
- ✓ Comfort
- ✓ Durability
- ✓ Dust reduction
- ✓ With accessories

Technical specifications

EAN code 8020584117651	Axle Rear	Thickness 14 mm
Width 103 mm	Height 42 mm	Braking system Advics
Wear indicator Acoustic	WVA number 22864	Accessories With anti-squeal shim



COMPATIBLE VEHICLES

COMPATIBLE OE PART NUMBERS

4605B560	MITSUBISHI
4605B562	MITSUBISHI
4605B987	MITSUBISHI
4605B989	MITSUBISHI
4605B989S1	MITSUBISHI
4605B560	MITSUBISHI (GAC)