



BRAKE PAD NAO P56048N

The P56048N NAO brake pad is synonymous with reliability

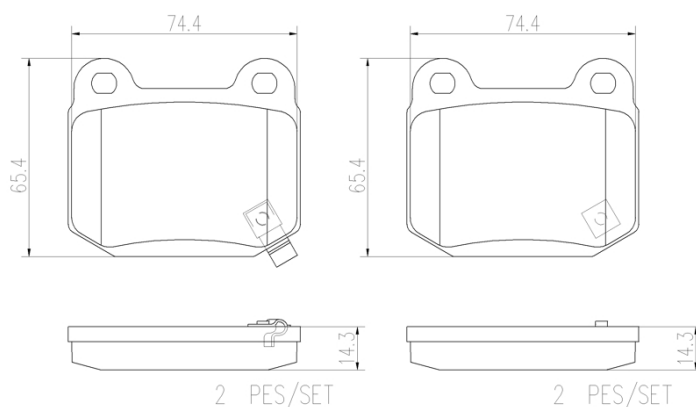
Brembo NAO brake pads stand out for their ultimate braking comfort, reduced friction wear and low dust mission, which makes for cleaner rims and reduced maintenance requirements. The advanced friction material in keeping with the strictest environmental standards is the main distinguishing feature of NAO compounds.

- ✓ OE-equivalent
- ✓ Brembo quality
- ✓ Safety
- ✓ Comfort
- ✓ Durability
- ✓ Dust reduction
- ✓ With accessories



Technical specifications

EAN code 8020584098875	Axle Rear	Thickness 14 mm
Width 77 mm	Height 65 mm	Braking system Brembo
Wear indicator Acoustic	WVA number 21580,23323	Accessories With anti-squeal shim



COMPATIBLE VEHICLES

COMPATIBLE OE PART NUMBERS

370230042 MASERATI

980139069 MASERATI

4605A050 MITSUBISHI

4605B928 MITSUBISHI

4605C034 MITSUBISHI

MR407391 MITSUBISHI

4406012U87 NISSAN

44060AB085 NISSAN

44060CD026 NISSAN

44060CD094 NISSAN

D4060CD00B NISSAN

D4060CD01B NISSAN

D406MCD01J NISSAN

D40F0CD00B NISSAN

D40F0CD01B NISSAN

D40F0CD026 NISSAN

D40F0CD094 NISSAN

D4MFMCD01J NISSAN

26696FE000 SUBARU

26696FE001 SUBARU

26696FE080 SUBARU

26696FE081 SUBARU

26696FG000 SUBARU

26696VA000 SUBARU

ST2629688050 SUBARU

SU00307219 TOYOTA
