



# BRAKE PAD NAO P59038N

The P59038N NAO brake pad is synonymous with reliability

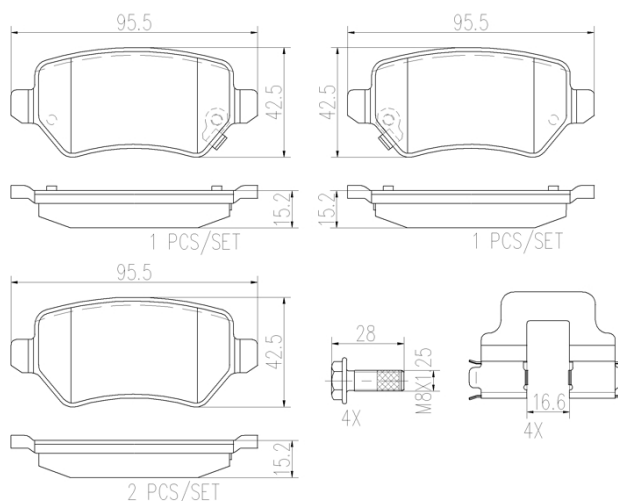
Brembo NAO brake pads stand out for their ultimate braking comfort, reduced friction wear and low dust mission, which makes for cleaner rims and reduced maintenance requirements. The advanced friction material in keeping with the strictest environmental standards is the main distinguishing feature of NAO compounds.

- ✓ OE-equivalent
- ✓ Brembo quality
- ✓ Safety
- ✓ Comfort
- ✓ Durability
- ✓ Dust reduction
- ✓ With accessories



## Technical specifications

EAN code <b>8020584099186</b>	Axle <b>Rear</b>	Thickness <b>15 mm</b>
Width <b>96 mm</b>	Height <b>43 mm</b>	Braking system <b>Lucas</b>
Wear indicator <b>Acoustic</b>	WVA number <b>23417,23654,23655</b>	Accessories <b>With accessories</b> <b>With anti-squeal shim</b> <b>With brake caliper bolts</b>



COMPATIBLE VEHICLES

## COMPATIBLE OE PART NUMBERS

93169143 GENERAL MOTORS

---

93170602 GENERAL MOTORS

---

93176118 GENERAL MOTORS

---

93179164 GENERAL MOTORS

---

583021PA30 KIA

---

58302A2A20 KIA

---

1605086 OPEL

---

1605122 OPEL

---

1605128 OPEL

---

1605233 OPEL

---

1605625 OPEL

---

1605967 OPEL

---

1605995 OPEL

---

93169164 OPEL

---

93188727 OPEL

---

93190577 OPEL

---

95507655 OPEL

---

93193613 SATURN

---

1605233 VAUXHALL

---

93190577 VAUXHALL

---