



BRAKE PAD NAO P59042N

The P59042N NAO brake pad is synonymous with reliability

Brembo NAO brake pads stand out for their ultimate braking comfort, reduced friction wear and low dust mission, which makes for cleaner rims and reduced maintenance requirements. The advanced friction material in keeping with the strictest environmental standards is the main distinguishing feature of NAO compounds.

- ✓ OE-equivalent
- ✓ Brembo quality
- ✓ Safety
- ✓ Comfort
- ✓ Durability
- ✓ Dust reduction
- ✓ With accessories



Technical specifications

EAN code
8020584099193

Axle
Rear

Thickness
17 mm

Width
123 mm

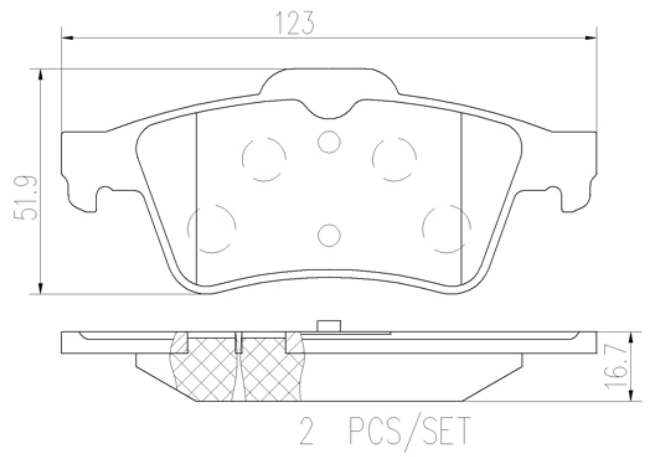
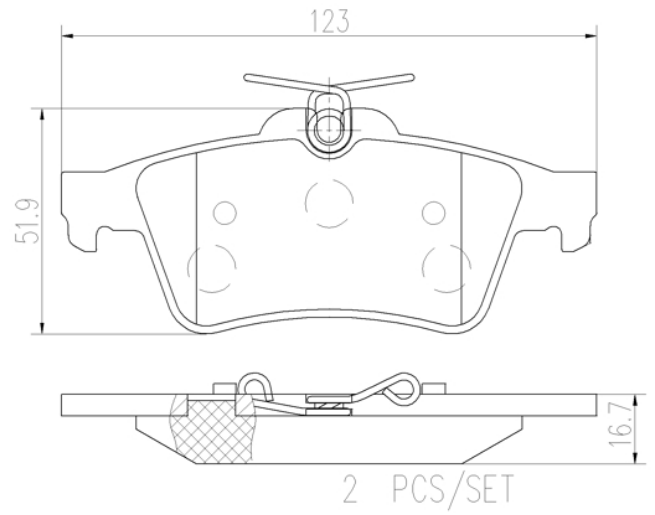
Height
52 mm

Braking system
Teves

Wear indicator
Prepared for wear indicator

WVA number
23482,24137

Accessories
With anti-squeal shim



COMPATIBLE VEHICLES

COMPATIBLE OE PART NUMBERS

| | |
|----------------|---------------------|
| 1647876080 | CITROËN |
| 425405 | CITROËN |
| 1233679 | FORD |
| 1324300 | FORD |
| 1360254 | FORD |
| 1360304 | FORD |
| 1360306 | FORD |
| 1459016 | FORD |
| 1566096 | FORD |
| 1753860 | FORD |
| 1763677 | FORD |
| 1809259 | FORD |
| 2177229 | FORD |
| 2T142B507BA | FORD |
| 2T142M008AA | FORD |
| 2T1J2M008AA | FORD |
| 3M512M008AA | FORD |
| 3M512M008AB | FORD |
| 3M512M008AC | FORD |
| 3M5J2M008A1A | FORD |
| 3M5J2M008AA | FORD |
| 4387371 | FORD |
| 4387374 | FORD |
| 7T162B507BA | FORD |
| CV6Z2200A | FORD |
| ME2T1J2M008AA | FORD |
| ME2T1J2M008AB | FORD |
| ME3M5J2M008AA | FORD |
| ME3M5J2MM008AA | FORD |
| MEAV6J2M008AA | FORD |
| 3M5Z2200H | FORD (CHANGAN) |
| AV6Z2200D | FORD ASIA & OCEANIA |
| BRF13 | FORD ASIA & OCEANIA |
| 13322091 | GENERAL MOTORS |
| 93172190 | GENERAL MOTORS |
| 93176116 | GENERAL MOTORS |
| C2C27271 | JAGUAR |
| C2D23143 | JAGUAR |
| C2P17595 | JAGUAR |
| C2P26112 | JAGUAR |
| C2Z22083 | JAGUAR |
| BPYK2648Z | MAZDA |
| BPYK2648ZA | MAZDA |
| BPYK2648ZA9C | MAZDA |
| BPYK2648ZB | MAZDA |

| | |
|---------------|-----------------|
| C2Y32648Z | MAZDA |
| C2Y32648ZA | MAZDA |
| C2Y32648ZA9A | MAZDA |
| C2Y32648ZB | MAZDA |
| C2Y32648ZC | MAZDA |
| C2Y32848Z | MAZDA |
| 3M512M008AGLC | MAZDA (CHANGAN) |
| 4634205600 | MERCEDES-BENZ |
| BPYK2648ZA | MITSUBISHI |
| C2Y32648ZA | MITSUBISHI |
| 1605065 | OPEL |
| 16050650 | OPEL |
| 1605117 | OPEL |
| 1605196 | OPEL |
| 1605200 | OPEL |
| 1605973 | OPEL |
| 1605993 | OPEL |
| 93176116 | OPEL |
| 93183140 | OPEL |
| 93190338 | OPEL |
| 93192623 | OPEL |
| 15271565 | PONTIAC |
| 440600002R | RENAULT |
| 440601689R | RENAULT |
| 8660004480 | RENAULT |
| 8671016711 | RENAULT |
| 13322091 | SAAB |
| 32017848 | SAAB |
| 93166942 | SAAB |
| 99900003 | SAAB |
| 30736610 | VOLVO |
| 307420310 | VOLVO |
| 313413310 | VOLVO |
| 8683615 | VOLVO |
| 86836150 | VOLVO |