



BRAKE PAD NAO P59054N

The P59054N NAO brake pad is synonymous with reliability

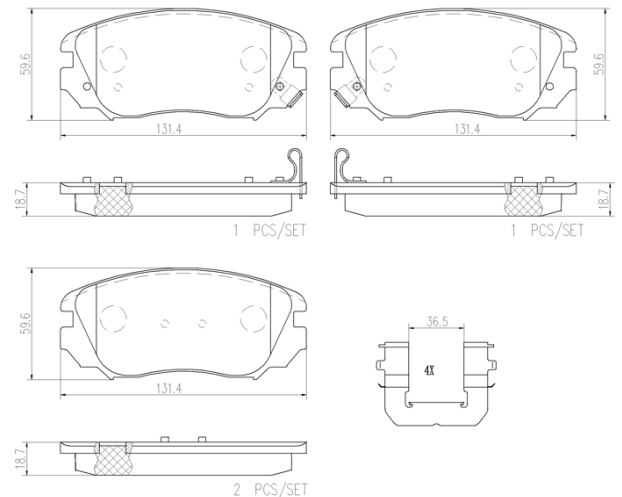
Brembo NAO brake pads stand out for their ultimate braking comfort, reduced friction wear and low dust mission, which makes for cleaner rims and reduced maintenance requirements. The advanced friction material in keeping with the strictest environmental standards is the main distinguishing feature of NAO compounds.

- ✓ OE-equivalent
- ✓ Brembo quality
- ✓ Safety
- ✓ Comfort
- ✓ Durability
- ✓ Dust reduction
- ✓ With accessories



Technical specifications

EAN code 8020584112366	Axle Front	Thickness 19 mm
Width 131 mm	Height 60 mm	Braking system Mando
Wear indicator Acoustic	WVA number 24416,24417,24415	Accessories With anti-squeal shim With accessories



COMPATIBLE VEHICLES

COMPATIBLE OE PART NUMBERS

20963796	BUICK
84233325	BUICK
84233325	CADILLAC
13237750	CHEVROLET
13312895	CHEVROLET
20877794	CHEVROLET
20963796	CHEVROLET
23214903	CHEVROLET
23316342	CHEVROLET
84233325	CHEVROLET
13312895	CHEVROLET (SGM)
20877794	GMC
13237750	OPEL
1605185	OPEL
1605236	OPEL
1605624	OPEL
22959105	OPEL
95514525	OPEL
95530020	OPEL
13237753	SAAB
32017995	SAAB
95530020	VAUXHALL