



BRAKE PAD PRIME CERAMIC P59086N

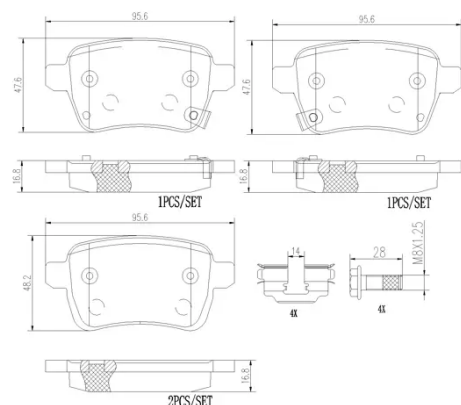
The P59086N NAO brake pad is
synonymous with reliability

Brembo NAO brake pads stand out for their ultimate braking comfort, reduced friction wear and low dust mission, which makes for cleaner rims and reduced maintenance requirements. The advanced friction material in keeping with the strictest environmental standards is the main distinguishing feature of NAO compounds.

- ✓ OE-equivalent
- ✓ Brembo quality
- ✓ Safety
- ✓ Comfort
- ✓ Durability
- ✓ Dust reduction
- ✓ With accessories

Technical specifications

EAN code 8020584114049	Axle Rear	Thickness 17 mm
Width 96 mm	Height 48 mm	Braking system TRW
Wear indicator Acoustic	WVA number 22220,22221,25973	Accessories With accessories With anti-squeal shim With brake caliper bolts



COMPATIBLE VEHICLES

COMPATIBLE OE PART NUMBERS

1605285	OPEL
---------	------

95517078	OPEL
----------	------

95524971	OPEL
----------	------

1605285	VAUXHALL
---------	----------

95517078	VAUXHALL
----------	----------

95524971	VAUXHALL
----------	----------
