



BRAKE PAD NAO P61111N

The P61111N NAO brake pad is synonymous with reliability

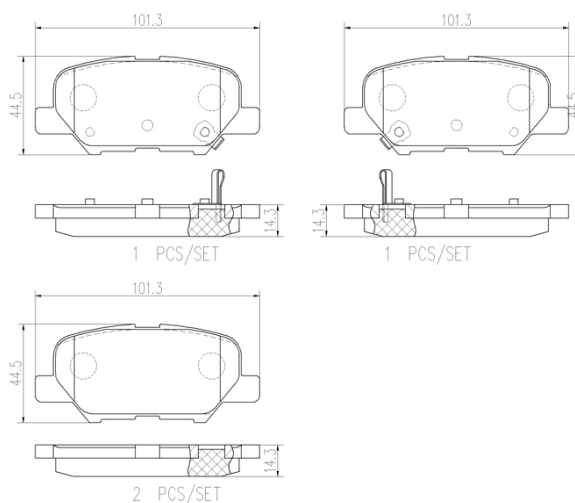
Brembo NAO brake pads stand out for their ultimate braking comfort, reduced friction wear and low dust mission, which makes for cleaner rims and reduced maintenance requirements. The advanced friction material in keeping with the strictest environmental standards is the main distinguishing feature of NAO compounds.

- ✓ OE-equivalent
- ✓ Brembo quality
- ✓ Safety
- ✓ Comfort
- ✓ Durability
- ✓ Dust reduction
- ✓ With accessories



Technical specifications

EAN code 8020584081792	Axle Rear	Thickness 14 mm
Width 101 mm	Height 45 mm	Braking system Akebono
Wear indicator Acoustic	WVA number 25689,25688,25690	Accessories With anti-squeal shim



COMPATIBLE VEHICLES

COMPATIBLE OE PART NUMBERS

1609899680 CITROËN

1619790780 CITROËN

1620368680 CITROËN

1635677180 CITROËN

BJY72648Z MAZDA

BJY72648ZA MAZDA

GHY92648Z MAZDA

GHY92648ZA MAZDA

GHY92648ZB MAZDA

GHY92648ZC MAZDA

GHY92648ZD MAZDA

440A1W060P MITSUBISHI

4605A802 MITSUBISHI

4605A998 MITSUBISHI

4605B070 MITSUBISHI

4605B071 MITSUBISHI

4605B384 MITSUBISHI

4605B805 MITSUBISHI

4605B806 MITSUBISHI

4605B807 MITSUBISHI

4605B808 MITSUBISHI

4605B914 MITSUBISHI

4605B915 MITSUBISHI

4605B916 MITSUBISHI

1609899680 PEUGEOT

1635677180 PEUGEOT
