



BRAKE PAD NAO

P61120N

The P61120N NAO brake pad is synonymous with reliability

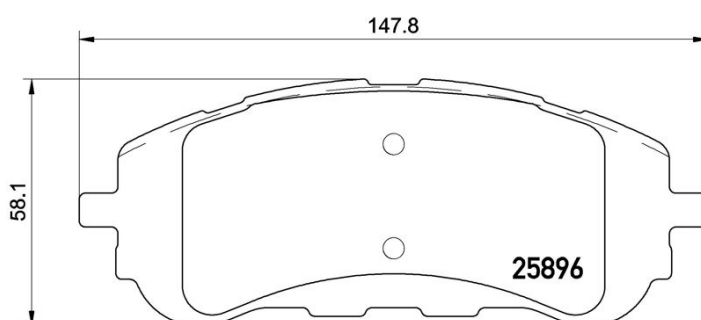
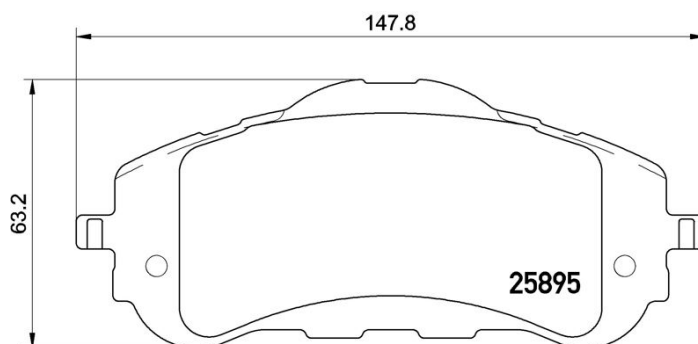
Brembo NAO brake pads stand out for their ultimate braking comfort, reduced friction wear and low dust mission, which makes for cleaner rims and reduced maintenance requirements. The advanced friction material in keeping with the strictest environmental standards is the main distinguishing feature of NAO compounds.

- ✓ OE-equivalent
- ✓ Brembo quality
- ✓ Safety
- ✓ Comfort
- ✓ Durability
- ✓ Dust reduction
- ✓ With accessories



Technical specifications

EAN code	Axle	Thickness
8020584114209	Front	19 mm
Width	Height	Braking system
148 mm	59 mm	Bosch
Wear indicator	WVA number	Accessories
Without	25895,25896	With accessories With anti-squeal shim With brake caliper bolts



COMPATIBLE OE PART NUMBERS

1678168180	CITROËN
1610428780	PEUGEOT
1619790980	PEUGEOT
1647860280	PEUGEOT
1612886480	PEUGEOT (DF-PSA)
SU001B2505	TOYOTA
SU001B3771	TOYOTA