



# BRAKE PAD NAO P65007N

**The P65007N NAO brake pad is synonymous with reliability**

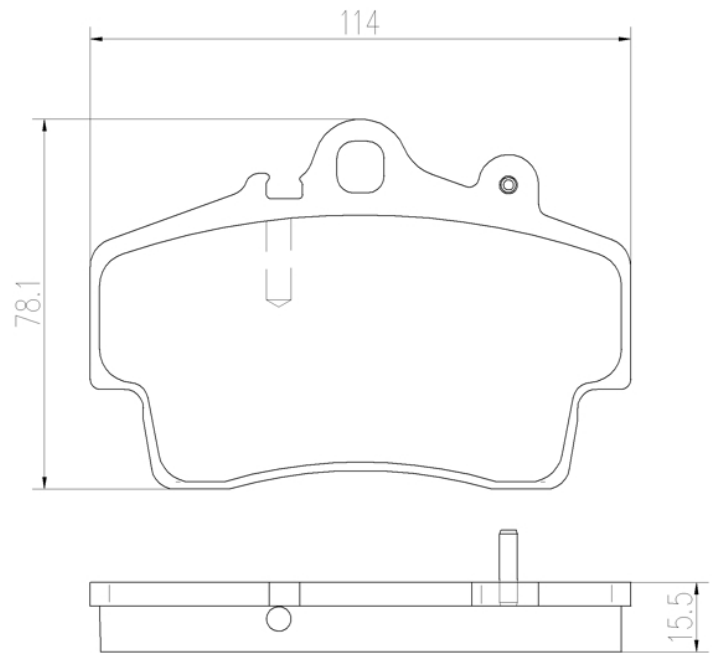
Brembo NAO brake pads stand out for their ultimate braking comfort, reduced friction wear and low dust mission, which makes for cleaner rims and reduced maintenance requirements. The advanced friction material in keeping with the strictest environmental standards is the main distinguishing feature of NAO compounds.

- ✓ OE-equivalent
- ✓ Brembo quality
- ✓ Safety
- ✓ Comfort
- ✓ Durability
- ✓ Dust reduction
- ✓ With accessories



## Technical specifications

EAN code <b>8020584083000</b>	Axle <b>Front</b>	Thickness <b>16 mm</b>
Width <b>114 mm</b>	Height <b>78 mm</b>	Braking system <b>Brembo</b>
Wear indicator <b>Prepared for wear indicator</b>	WVA number <b>21937</b>	Accessories <b>With anti-squeal shim</b>



4 PCS/SET

COMPATIBLE VEHICLES

## COMPATIBLE OE PART NUMBERS

98635139311	PORSCHE
98635193911	PORSCHE
98635193913	PORSCHE
98635193915	PORSCHE
98735193902	PORSCHE
98735193903	PORSCHE