



# BRAKE PAD NAO P65018N

The P65018N NAO brake pad is synonymous with reliability

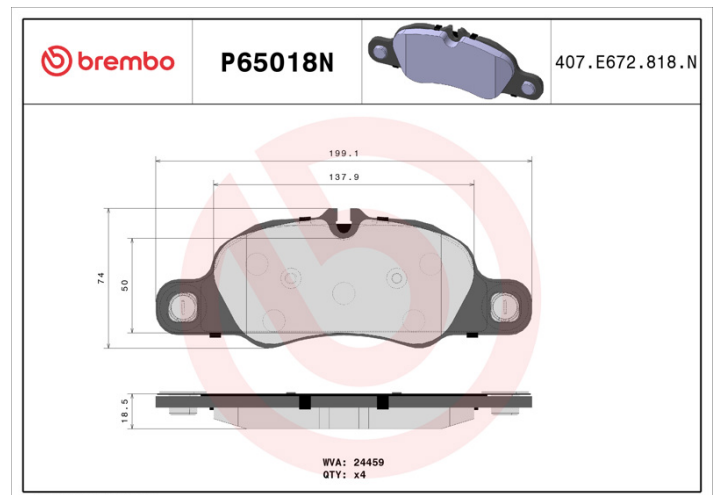
Brembo NAO brake pads stand out for their ultimate braking comfort, reduced friction wear and low dust mission, which makes for cleaner rims and reduced maintenance requirements. The advanced friction material in keeping with the strictest environmental standards is the main distinguishing feature of NAO compounds.

- ✓ OE-equivalent
- ✓ Brembo quality
- ✓ Safety
- ✓ Comfort
- ✓ Durability
- ✓ Dust reduction
- ✓ With accessories



## Technical specifications

EAN code <b>8020584083369</b>	Axle <b>Front</b>	Thickness <b>19 mm</b>
Width <b>199 mm</b>	Height <b>74 mm</b>	Braking system <b>Brembo</b>
Wear indicator <b>Prepared for wear indicator</b>	WVA number <b>24459</b>	Accessories <b>With anti-squeal shim</b>



COMPATIBLE VEHICLES

## COMPATIBLE OE PART NUMBERS

98135193000	PORSCHE
-------------	---------

98135193809	PORSCHE
-------------	---------

98135193900	PORSCHE
-------------	---------

98135193904	PORSCHE
-------------	---------

982698151B	PORSCHE
------------	---------

99135193900	PORSCHE
-------------	---------

99135193901	PORSCHE
-------------	---------

99135193902	PORSCHE
-------------	---------

99735193804	PORSCHE
-------------	---------

99735193806	PORSCHE
-------------	---------

99735193809	PORSCHE
-------------	---------

99735193810	PORSCHE
-------------	---------

99735193811	PORSCHE
-------------	---------

99735193819	PORSCHE
-------------	---------