



BRAKE PAD PRIME CERAMIC P65026N

The P65026N NAO brake pad is synonymous with reliability

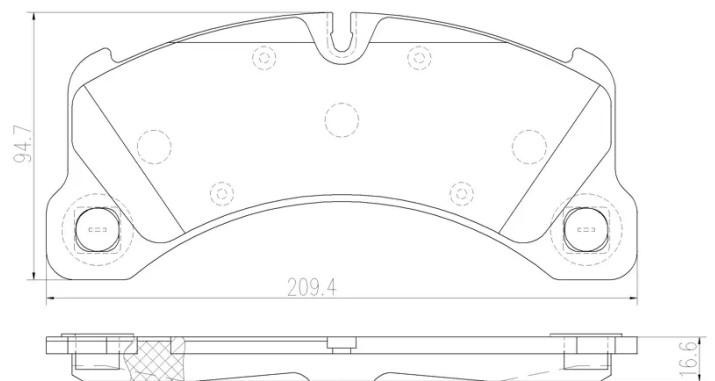
Brembo NAO brake pads stand out for their ultimate braking comfort, reduced friction wear and low dust mission, which makes for cleaner rims and reduced maintenance requirements. The advanced friction material in keeping with the strictest environmental standards is the main distinguishing feature of NAO compounds.

- ✓ OE-equivalent
- ✓ Brembo quality
- ✓ Safety
- ✓ Comfort
- ✓ Durability
- ✓ Dust reduction
- ✓ With accessories



Technical specifications

EAN code 8020584083185	Axle Front	Thickness 17 mm
Width 209 mm	Height 95 mm	Braking system Brembo
Wear indicator Prepared for wear indicator	WVA number 24685	Accessories With anti-squeal shim



4 PCS/SET

COMPATIBLE VEHICLES

COMPATIBLE OE PART NUMBERS

7P5698151 AUDI

95835193930 PORSCHE

958698151A PORSCHE

7P5698151 SEAT

7P5698151 SKODA

7P5698151 VW
