



# BRAKE PAD NAO P65028N

**The P65028N NAO brake pad is synonymous with reliability**

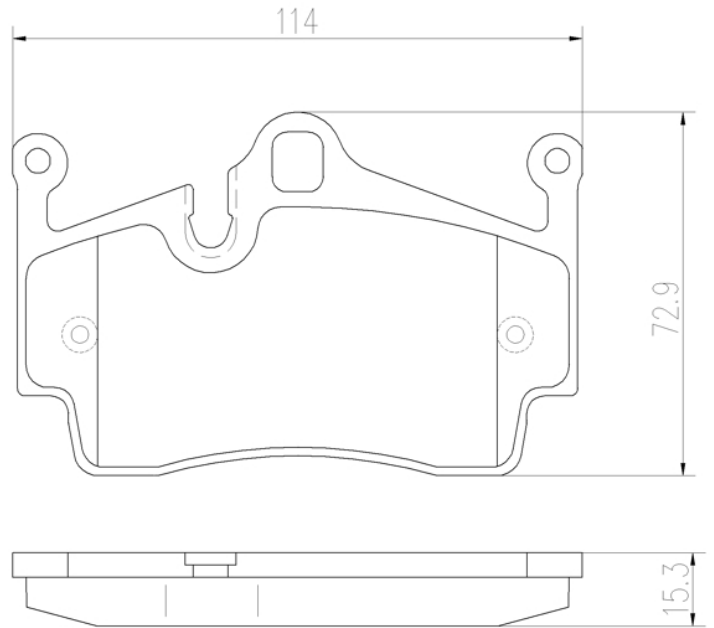
Brembo NAO brake pads stand out for their ultimate braking comfort, reduced friction wear and low dust mission, which makes for cleaner rims and reduced maintenance requirements. The advanced friction material in keeping with the strictest environmental standards is the main distinguishing feature of NAO compounds.

- ✓ OE-equivalent
- ✓ Brembo quality
- ✓ Safety
- ✓ Comfort
- ✓ Durability
- ✓ Dust reduction
- ✓ With accessories



## Technical specifications

EAN code	Axle	Thickness
<b>8020584083154</b>	<b>Rear</b>	<b>15 mm</b>
Width	Height	Braking system
<b>114 mm</b>	<b>73 mm</b>	<b>Brembo</b>
Wear indicator	WVA number	Accessories
<b>Prepared for wear indicator</b>	<b>24541</b>	<b>With anti-squeal shim</b>



4 PCS/SET

COMPATIBLE VEHICLES

## COMPATIBLE OE PART NUMBERS

98735293901	PORSCHE
98735293903	PORSCHE
99735293900	PORSCHE