



BRAKE PAD NAO P83066N

The P83066N NAO brake pad is synonymous with reliability

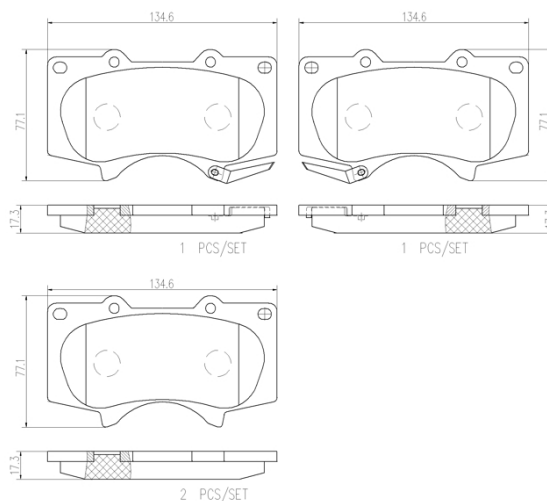
Brembo NAO brake pads stand out for their ultimate braking comfort, reduced friction wear and low dust mission, which makes for cleaner rims and reduced maintenance requirements. The advanced friction material in keeping with the strictest environmental standards is the main distinguishing feature of NAO compounds.

- ✓ OE-equivalent
- ✓ Brembo quality
- ✓ Safety
- ✓ Comfort
- ✓ Durability
- ✓ Dust reduction
- ✓ With accessories



Technical specifications

| | | |
|-----------------------------------|----------------------------------------|---------------------------------------------|
| EAN code 8020584099704 | Axle Front | Thickness 17 mm |
| Width 135 mm | Height 77 mm | Braking system Sumitomo |
| Wear indicator Acoustic | WVA number 24024,24025,24026 | Accessories With anti-squeal shim |



COMPATIBLE VEHICLES

COMPATIBLE OE PART NUMBERS

4605A472 MITSUBISHI

4605A481 MITSUBISHI

4605B994 MITSUBISHI

MZ690355 MITSUBISHI

MZ690567 MITSUBISHI

MZ690583 MITSUBISHI

TS200048 MITSUBISHI

0446504070 TOYOTA

044650K030 TOYOTA

044650K090 TOYOTA

0446535250 TOYOTA

0446560210 TOYOTA

04465AZ001 TOYOTA

04465AZ100 TOYOTA

04465YZZDB TOYOTA
