



BRAKE PAD NAO P83071N

The P83071N NAO brake pad is synonymous with reliability

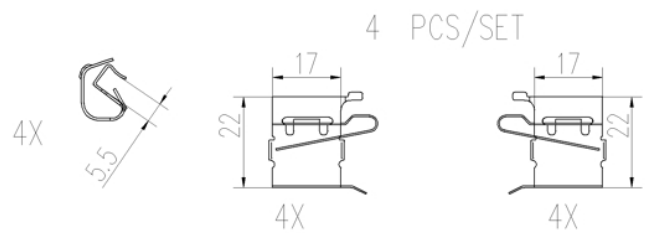
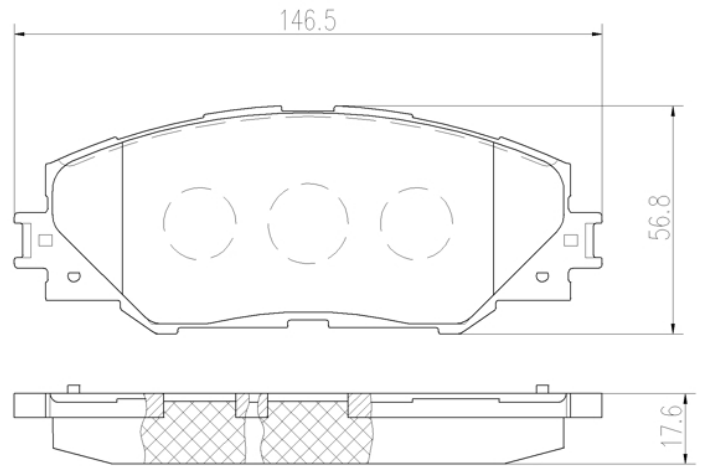
Brembo NAO brake pads stand out for their ultimate braking comfort, reduced friction wear and low dust mission, which makes for cleaner rims and reduced maintenance requirements. The advanced friction material in keeping with the strictest environmental standards is the main distinguishing feature of NAO compounds.

- ✓ OE-equivalent
- ✓ Brembo quality
- ✓ Safety
- ✓ Comfort
- ✓ Durability
- ✓ Dust reduction
- ✓ With accessories



Technical specifications

EAN code 8020584099735	Axle Front	Thickness 18 mm
Width 147 mm	Height 57 mm	Braking system Advics
Wear indicator Acoustic	WVA number 24337	Accessories With accessories With anti-squeal shim



COMPATIBLE VEHICLES

COMPATIBLE OE PART NUMBERS

19184911	PONTIAC
0446502230	TOYOTA
044650R031	TOYOTA
0446542140	TOYOTA
0446542150	TOYOTA
0446542170	TOYOTA
0446542180	TOYOTA
0446542190	TOYOTA
04465YZZDY	TOYOTA
044650R020	TOYOTA (FAW)
044650R020	TOYOTA (GAC)