



BRAKE PAD NAO P83074N

The P83074N NAO brake pad is synonymous with reliability

Brembo NAO brake pads stand out for their ultimate braking comfort, reduced friction wear and low dust mission, which makes for cleaner rims and reduced maintenance requirements. The advanced friction material in keeping with the strictest environmental standards is the main distinguishing feature of NAO compounds.

- ✓ OE-equivalent
- ✓ Brembo quality
- ✓ Safety
- ✓ Comfort
- ✓ Durability
- ✓ Dust reduction
- ✓ With accessories



Technical specifications

EAN code
8020584099766

Axle
Front

Thickness
18 mm

Width
155 mm

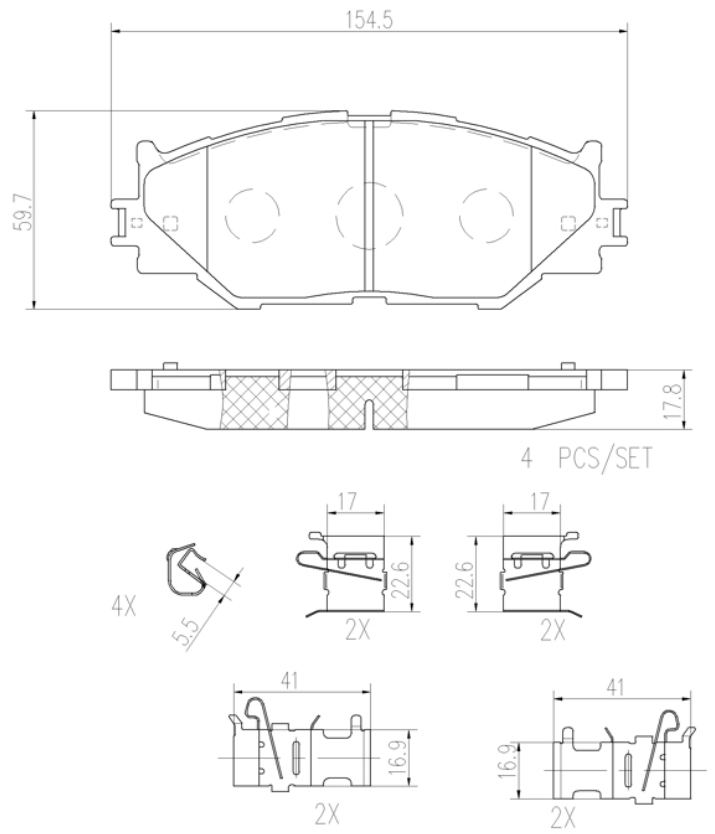
Height
60 mm

Braking system
Advics

Wear indicator
Acoustic

WVA number
23983

Accessories
With accessories
With anti-squeal shim



COMPATIBLE VEHICLES

COMPATIBLE OE PART NUMBERS

0446553020	LEXUS
0446553040	LEXUS
0446553020	TOYOTA
0446553040	TOYOTA