



BRAKE PAD NAO P83151N

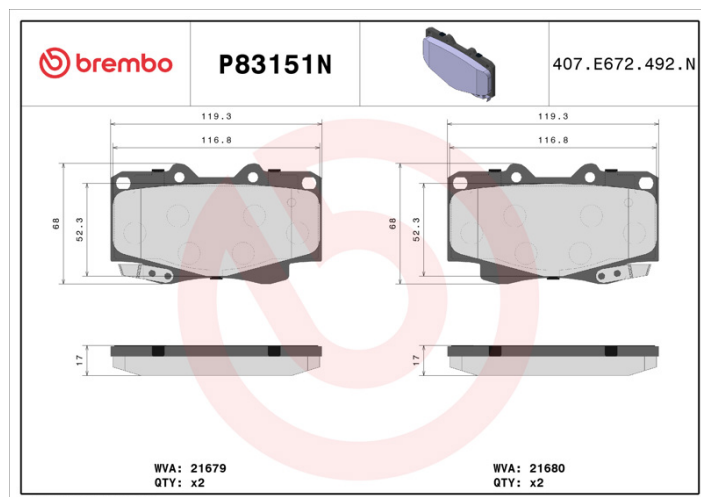
The P83151N NAO brake pad is synonymous with reliability

Brembo NAO brake pads stand out for their ultimate braking comfort, reduced friction wear and low dust mission, which makes for cleaner rims and reduced maintenance requirements. The advanced friction material in keeping with the strictest environmental standards is the main distinguishing feature of NAO compounds.

- ✓ OE-equivalent
- ✓ Brembo quality
- ✓ Safety
- ✓ Comfort
- ✓ Durability
- ✓ Dust reduction
- ✓ With accessories

Technical specifications

| | | |
|-----------------------------------|----------------------------------|---|
| EAN code 8020584115206 | Axle Front | Thickness 17 mm |
| Width 119 mm | Height 68 mm | Braking system Sumitomo |
| Wear indicator Acoustic | WVA number 21680,21679 | Accessories With anti-squeal shim |



COMPATIBLE VEHICLES

COMPATIBLE OE PART NUMBERS

0446504030 TOYOTA

0446504050 TOYOTA

0446504060 TOYOTA

0446504630 TOYOTA

044650K070 TOYOTA

044650K210 TOYOTA

044650K220 TOYOTA

04465YZZQ5 TOYOTA
