



BRAKE PAD NAO P83152N

The P83152N NAO brake pad is synonymous with reliability

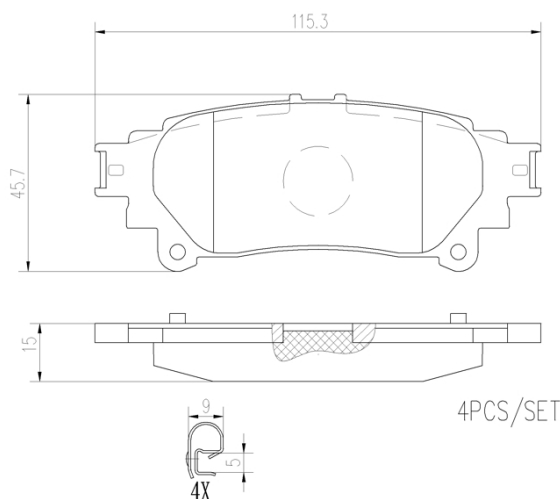
Brembo NAO brake pads stand out for their ultimate braking comfort, reduced friction wear and low dust mission, which makes for cleaner rims and reduced maintenance requirements. The advanced friction material in keeping with the strictest environmental standards is the main distinguishing feature of NAO compounds.

- ✓ OE-equivalent
- ✓ Brembo quality
- ✓ Safety
- ✓ Comfort
- ✓ Durability
- ✓ Dust reduction
- ✓ With accessories



Technical specifications

EAN code 8020584081464	Axle Rear	Thickness 15 mm
Width 115 mm	Height 46 mm	Braking system Akebono
Wear indicator Acoustic	WVA number 24918	Accessories With anti-squeal shim



COMPATIBLE VEHICLES

COMPATIBLE OE PART NUMBERS

0446647051 DAIHATSU

044660E010 LEXUS

0446648130 LEXUS

0446648140 LEXUS

044660D040 TOYOTA

044660K010 TOYOTA

0446622220 TOYOTA

0446647070 TOYOTA

0446647071 TOYOTA

0446647093 TOYOTA

0446647140 TOYOTA

044664813079 TOYOTA

0446652180 TOYOTA

04466WY040 TOYOTA

446648140 TOYOTA

044660E040 TOYOTA (FAW)

044660E040 TOYOTA (GAC)
